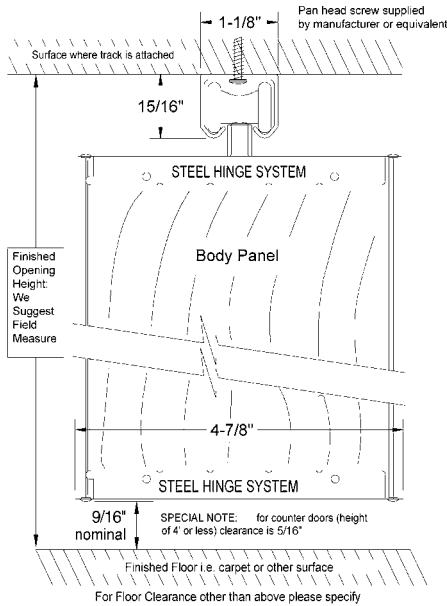


# Woodfold Door Specifications

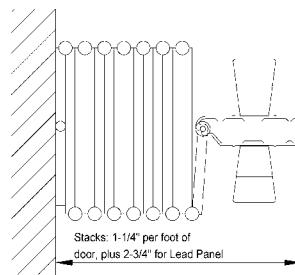
## Construction Details For Series 240, 440, 540, 640, 740

### Standard Surface Track

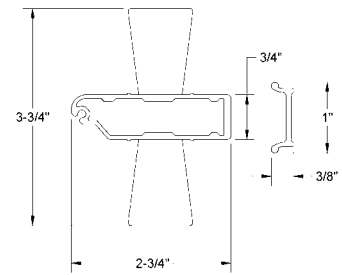


Above drawing also applies to Series 140 and 220

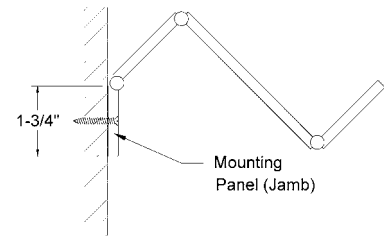
### Stack Dimensions



### Lead Post

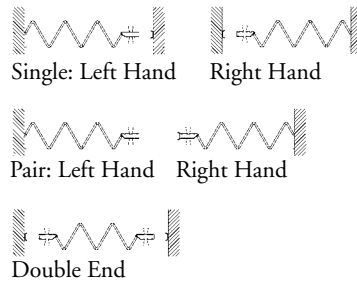


### Mounting Panel



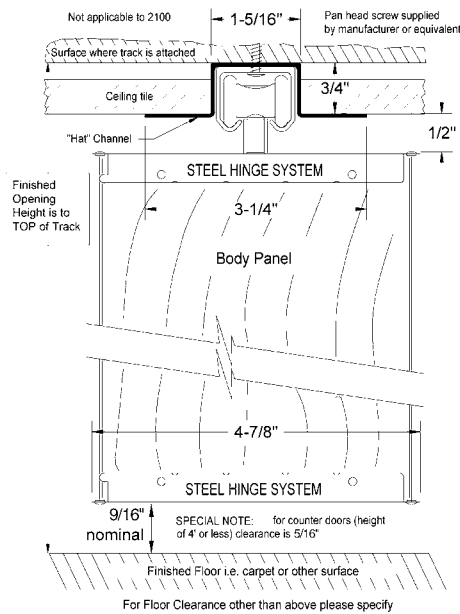
Jamb Panels may orient into or out of room based on number of panels in door.

### Door Types

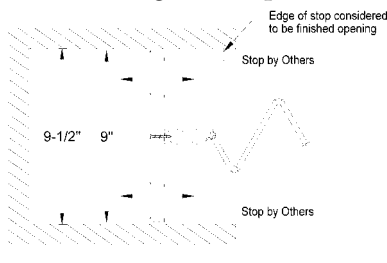


## Option Details For Series 240, 440, 540, 640, 740

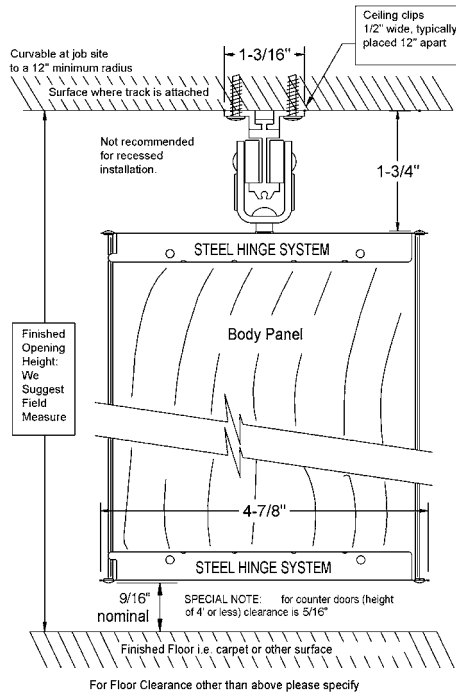
### Recessed Track



### Sliding Jamb Option



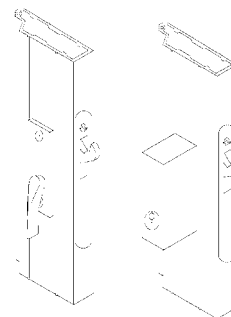
### Curvable Track



### Multiple Meeting Post

See similar illustration on page 13 under Series 2100.

### Locking Hardware



#### Custom Keying

Woodfold furnishes Weiser Cylinders in Adams Rite Pulls which can be adapted to Schlage, Lockwood, Sargent, Corbin, Russwin, Dexter and Medeco cylinders by your local locksmith.

Thumb Turn Pull with Cylinder

#### Deadlatch

Deadlatch with thumb turn two sides

#### Keylock One Side

Deadlatch with thumb turn one side, keylock one side

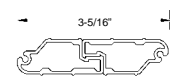
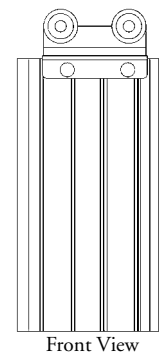
#### Keylock Two Sides

Deadlatch with keylock two sides

### Intermediate Rolling Post

#### Aluminum

Each half of the post applied to section of Room Divider at plant. Fastening of sections at job site with screws and posts supplied.

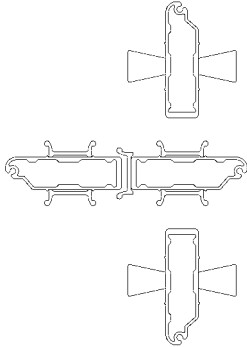


Top View without wheel assembly

# Woodfold Door Specifications

## Construction Details For Series 2100

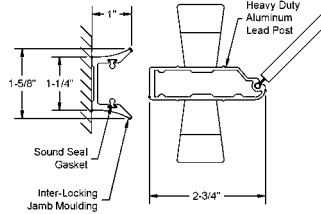
### Multiple Meeting Post



Up to four-way use of jamb mould in place of handle on sides of lead panel

Primary lead post with auxiliary jamb mouldings

### Series 2100 Interlocking Jamb Molding

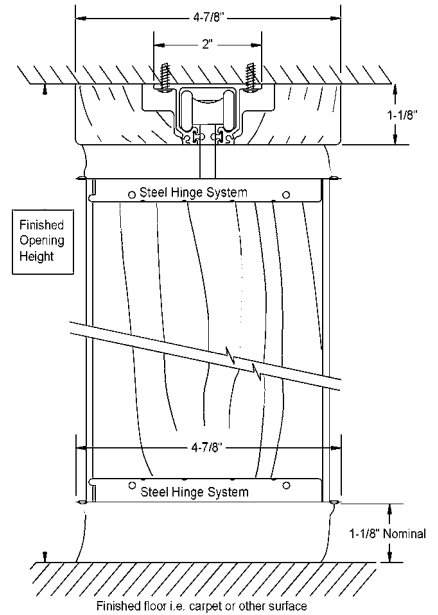


Aluminum, color-coordinated to lead post with integral sound seal gasket.

Right: Series 2100 track molding is color-coordinated solid hardwood, designed to flank the track and create a ceiling guard surface to seal top perimeters of door.

Most options shown on page 12 also apply to Series 2100.

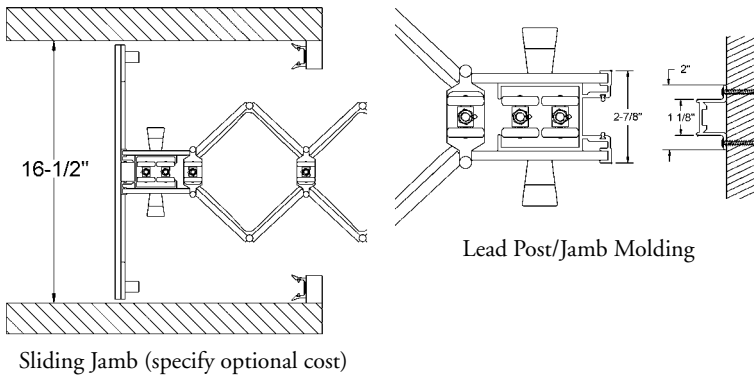
### Series 2100 Surface Track



### Fire-Retardant Panels

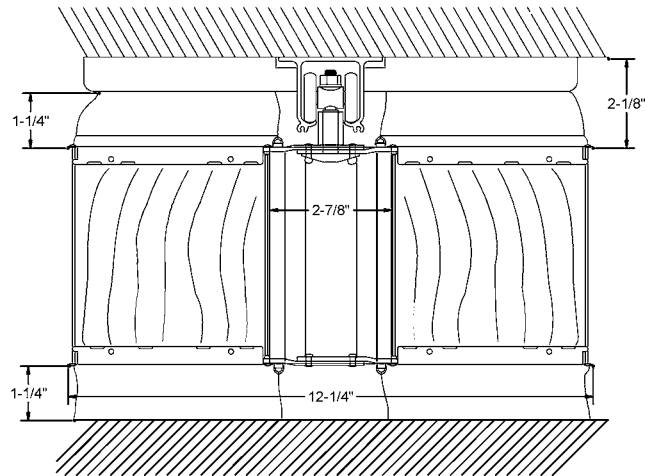
When necessary to meet requirements calling for fire-retardant panels, the following panel options are available: light oak wood grain or two-tone textured chalk laminated on both sides to a 1/4" thick material that meets Class 1 fire-retardant specifications.

### Series 3300 Jamb Panel Options

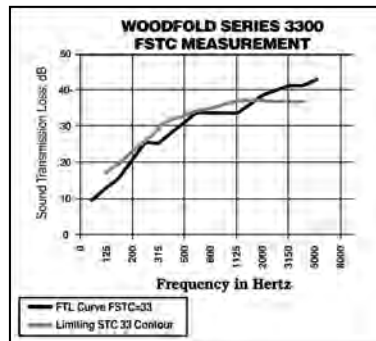
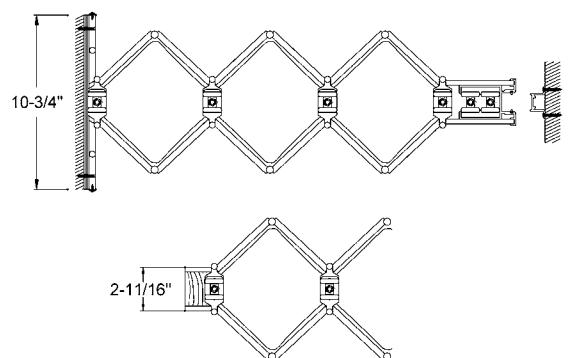


### Construction Details For Series 3300

#### Series 3300 Front View (stacked position)



#### Top View/Flush Jamb Panel (specify)



Post Jamb Panel (specify)