

# Pergola Installation Instructions

- Dixie-Pacific™ pergola kits are made for decorative purposes only. Do not attach swings or any other load directly to the pergola kit.
- To preserve and protect the columns, it is necessary to paint them with one coat of high quality exterior primer, followed by two coats of a high quality exterior paint.
- Do not paint columns with dark colors (dark colors are considered any color that falls within the L values of 56 to 0). L is a measure of the lightness of an object and ranges from 0 (black) to 100 (white).
- Do not paint the rafters, beams (lintels) or end caps.
- Spray painting columns is not recommended. Paint should be applied with a brush.
- Columns should never be pressure washed.
- Columns should never be sprayed with water prior to installation.

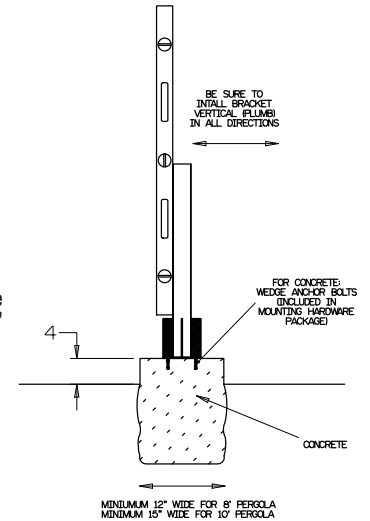
1. Before installation, sand, prime, and paint the caps, bases/plinths and shafts with one coat of a high-quality exterior primer/paint, making sure all surfaces are clean prior to priming and painting. Note: spray painting columns is not recommended. Paint should be applied with a brush. Make sure all shafts are the same length. If field trimming is required, be sure to always trim from the bottom end only. Trim with a saw with an abrasive blade (Be sure to wear personal protective equipment). Finish the bottom of the shaft with a rasp or sander to ensure an even load distribution around the entire circumference.

## Free-standing Pergola Installation – Ground/Patio Installation

2. Pergola is designed to be free-standing. If pergola is being installed on the ground, square concrete footings must be dug and poured, to which the columns will be mounted, Footings for 10'x10' pergola must be poured 10' on center (diagonal is 169 ¾") (illustration 1), and must be a minimum of 15" square, project 4" above the surface of the ground and extend at least 12" into the ground. Footings for 8'x8' pergola must be poured 8' on center (diagonal is 135 ¾") (illustration 2) and must be a minimum of 12" square, project 4" above the surface of the ground and extend at least 12" into the ground. The part of the footing that extends above the ground should be formed level, and troweled smooth on top. Concrete must have a minimum compressive strength of 3000 pounds per square inch.

3. After concrete has cured for at least 3 days, locate and mark the center mounting points of the columns. Use the layout dimensions shown on illustrations 1 & 2, which correspond to the size of your pergola. On each footing, position a column mounting bracket directly over the column center-point mark. Mark the concrete through each of the 4 mounting holes of the mounting bracket. Remove the column mounting bracket and use a hammer drill to drill through the marks with a 5/8" masonry bit. Drill holes at least 1-3/4" deep (be sure to wear personal protective equipment) into the concrete. Clean hole of any dust or debris.

4. Place 3/8" concrete anchors into pre-drilled hole. Replace column mounting bracket on concrete footing. Align bracket mounting holes with holes containing concrete anchors. If necessary, shim between the bracket mounting flange and concrete with pressure treated wood shims to ensure the mounting bracket pipe is plumb (straight up & down) in all directions. Use included bolts with washers to screw through mounting bracket into the concrete anchors in the concrete footing.



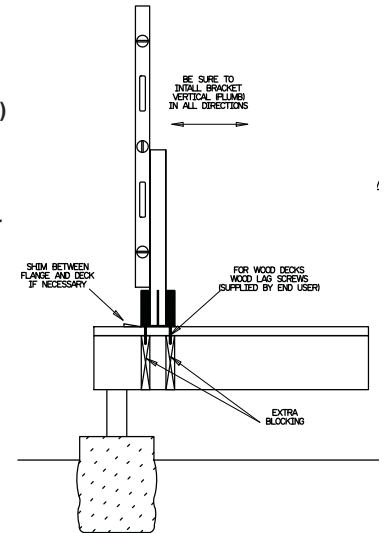
Ground/Patio Installation

## Free-standing Pergola Installation – Wooden deck Installation

2. Pergola is designed to be free-standing. If pergola is being installed on a wooden deck, the column mounting brackets will need to be bolted screwed to the deck. Mounting brackets for 10'x10' pergola must be installed 10' on center (diagonal is 169 ¾") (illustration 1). Mounting brackets for 8'x8' pergola must be installed 8' on center (diagonal is 135 ¾") (illustration 2).

3. Use the layout dimensions shown on illustrations 1 & 2, which correspond to the size of your pergola. Mark the center of each column on the deck. Reinforce the deck framing under the column locations with extra wooden blocking. Position a column mounting bracket directly over the column center point mark. Mark the deck through each of the 4 mounting holes of the mounting bracket. Drill through those marks into the deck, using a 1/4" diameter drill bit.

4. Use 5/16" lags, with washers, to attach the mounting brackets to the deck. If necessary, shim between the bracket mounting flange and concrete with pressure treated wood shims to ensure the mounting bracket pipe is plumb (straight up & down) in all directions.



Wooden Deck Installation

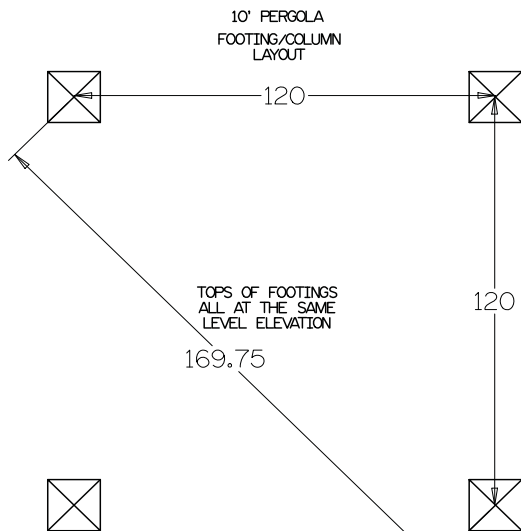


Illustration 1

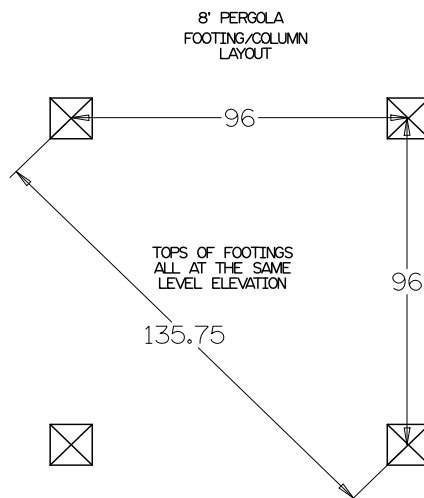
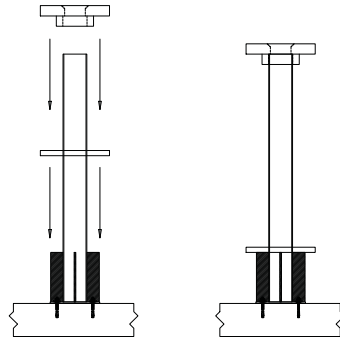


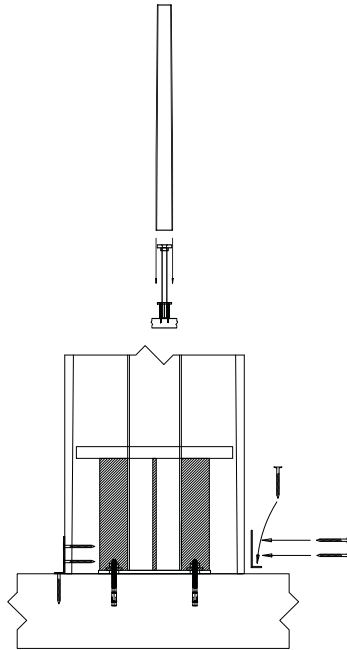
Illustration 2

# Pergola Installation Instructions

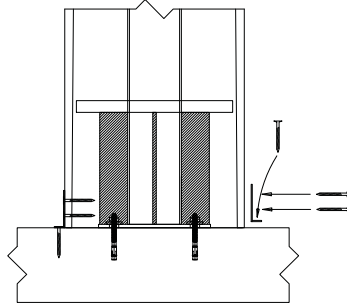
5. Once mounting brackets are installed, slide the internal column shimming disks over the tubular sleeve. Install the thin shimming disk first, and slide it down the tubular sleeve until it rests on top of the reinforcement fins of the mounting bracket. Now insert the thick shimming disk over the end of the tubular sleeve. The stepped hole in the middle of the thick shimming disk will cause it to rest on top of the mounting bracket tube.



6. With the shimming disks in place on the mounting bracket tubular sleeve, carefully pick up the column shaft and lift it up and over the top of the column mounting bracket. Straighten the column up and slowly slide it down the mounting bracket until the column shaft rests on the concrete/deck. The shimming disks, which are now inside the column, will prevent the column from rocking back and forth. Use 2 people for this procedure if the column is too heavy.

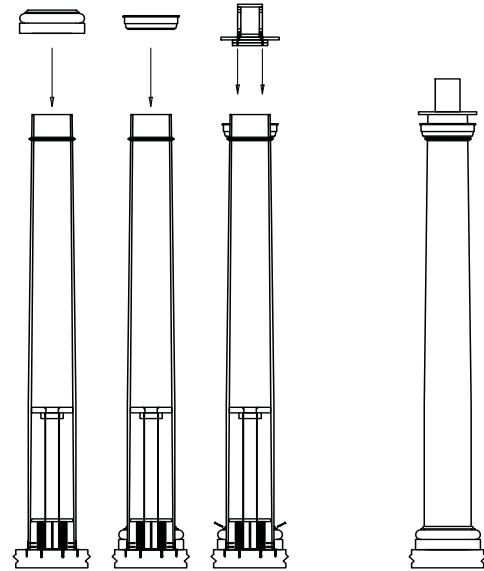


7. Secure the bottom of the column shaft to the concrete/deck using the provided L brackets and "Tapcon®" type non-corrosive screws. Make sure to pre-drill the holes first and do not over tighten the screws. Use a masonry drill bit to drill into concrete.



8. Standing on a ladder, slide the urethane decorative column base/plinth over the top of the column and slide it down the shaft of the column to the concrete/deck. The base/plinth will conceal the L brackets. Secure the base/plinth to the column shaft and concrete/deck using non-corrosive screws. Make sure to pre-drill the holes first and do not over tighten the screws. Use a masonry drill bit to drill into concrete.

9. Slide the Tuscan capital over the top of the column shaft and let it slide down to rest on the neck ring that is molded into the column.



10. Take the special pergola cap lid with integral pergola beam mounting block and slide it into place on top of the column. The shimming disks mounted to the underside of the flat lid will go into the column shaft and the underside of the flat lid will rest on top of the column. The beam mounting block on top of the flat lid will be sticking up in the air. **DO NOT SCREW THE PERGOLA CAP LID IN PLACE YET.** Repeat this process with all columns for the pergola.

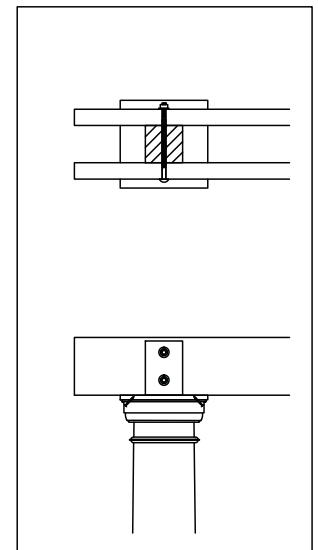
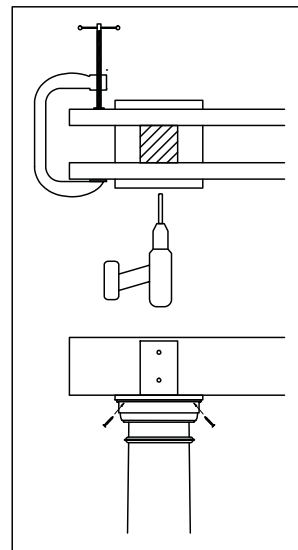
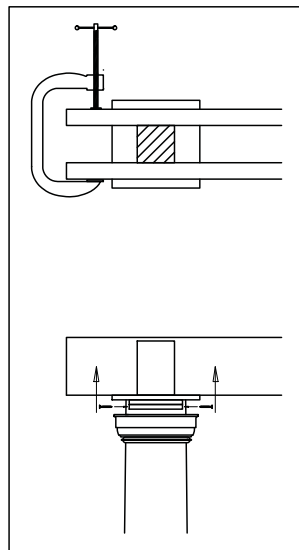
11. Place one beam on each side of the pergola beam mounting block. Each column will have two beams running across the top. Make sure the beams are centered equally over the columns, having the same overhang on both ends.

12. Hold beams in place over the capitals with clamps. At the top of each column, screw through the side of the column into the edge of the shimming disks that were mounted to the underside of the pergola cap lid (and are hanging down inside the column).

13. Slide the Tuscan cap up until it contacts the underside of the pergola cap lid and screw it in place. Screw through both the pergola cap lid and the side of the column.

14. With the beams still clamped in place, on each column, pre-drill two continuous 1/2" holes through the first beam, the mounting block, and the second beam. The holes should be drilled one over the other, approximately 2 inches up from the pergola cap lid and 2 inches down from the top of the beam mounting block.

15. Insert 3/8" x 10" carriage bolts through the pre-drilled holes, with the head of the bolt showing from the outside of the pergola. Attach 3/8" washer and 3/8" hex nuts to the carriage bolts. Do not over tighten.



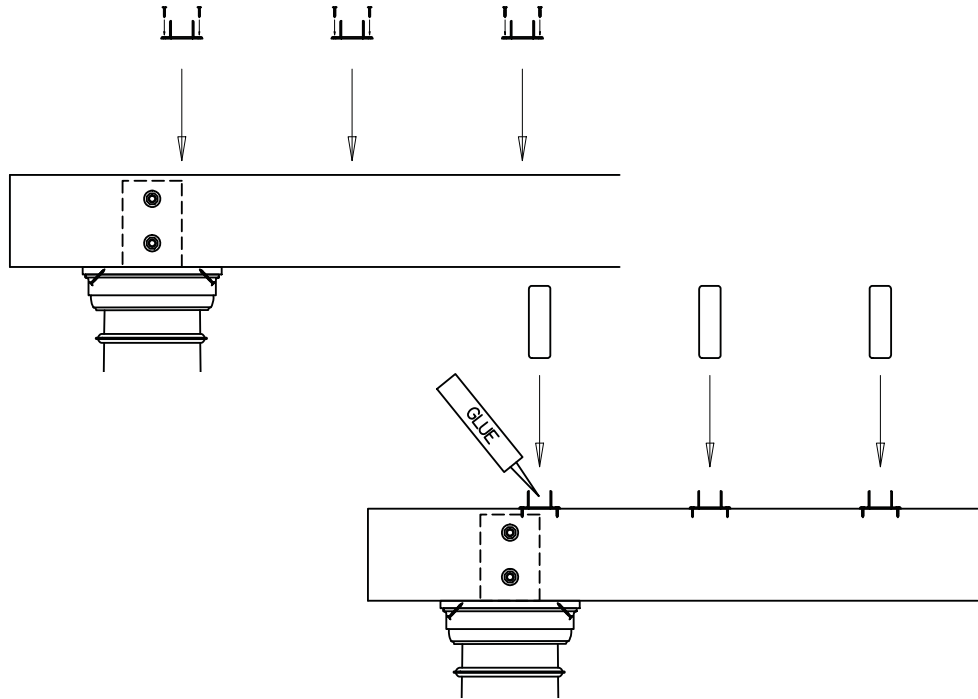
# Pergola Installation Instructions

16. Starting with the center point of the beams, evenly space the rafters, working to left and right of the center point.

17. Test-fit and evenly space the 2"x2" pergola rafter clips along the top of the beams. Spacing for the rafter clips will be 14-3/8" from center to center for the 10'x10' pergola kit, and 13-11/32" for the 8'x8' pergola kit. Once spacing has been determined, secure the clips with 3/4" screws (provided). Note: There will be (4) 2"x2" clips per rafter.

18. Test-fit and place rafters into evenly spaced rafter clips. Before securing rafters to rafter clips, make sure the rafters are centered equally and have the same overhang on both ends.

19. Secure the rafters to the rafter clips by using the PVC glue (provided). Apply the glue to the top of the clip and lower the bottom of the rafter into the adhesive.



20. Attach the end caps to each end of the rafters and beams and at the same time, secure them in place by using the PVC glue (provided).

21. Caulk between the cap and column shaft, and the base and column shaft for a finished appearance. Paint the capital, column shaft, and base/plinth with a final top coat. NOTE: DO NOT PAINT THE RAFTERS, BEAMS OR END CAPS.

