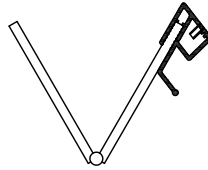


Finished Opening Height:  
We suggest Field Measure

## Swept-Wing Handles

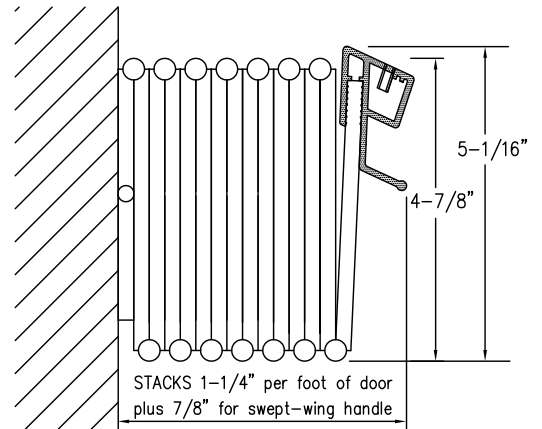


With integral magnet  
With strike plate

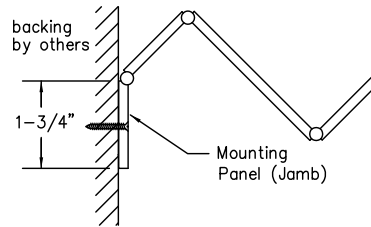
Architects Acceptance

Job Name: \_\_\_\_\_  
Job Location: \_\_\_\_\_  
Supplier: \_\_\_\_\_

## Stack Dimensions

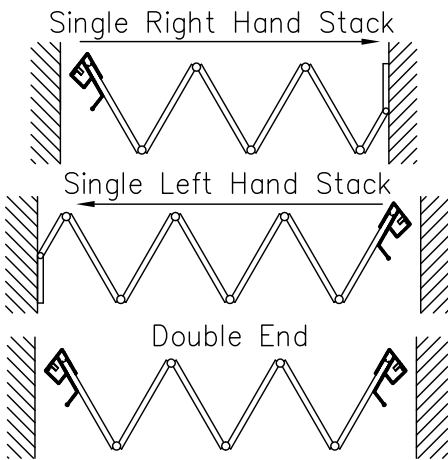


## Mounting Panel



Direction of mounting panel (jamb) varies based on door construction. Consult factory for specific information.

## Door Types



Door Types: Single or Double End only – no Pairs  
Single End *must* specify left or right hand.

## INFORMATION

Width	Custom made to 8' - 0"
Height	Custom made to 8' - 1"
Panels	Natural hardwood or vinyl-lam on MDF core (features closet utility back)
Panel Connector	Extruded Vinyl: White, Brown or Sand
Hinge System	Steel: Dark Bronze or Clear Finish
Wheels	Nylon wheels on lexan axles
Track	Aluminum (straight only): Dark bronze or Clear
Swept Wing Handle	Rigid Vinyl: White, Brown or Sand Coordinated with panel connector
Catch	Magnet with strike plate
Header	Construction detail by others
Door Weight	<u>Height</u> <u>Average Weight</u>
	6'-8"                              10lbs. Per lineal foot
	8'-1"                                12lbs. Per lineal foot

See Woodfold Accordion Door brochure for details

Qty.	Single End/Double End	Left or Right Stack	Width X Height	Finish/Color	Comments