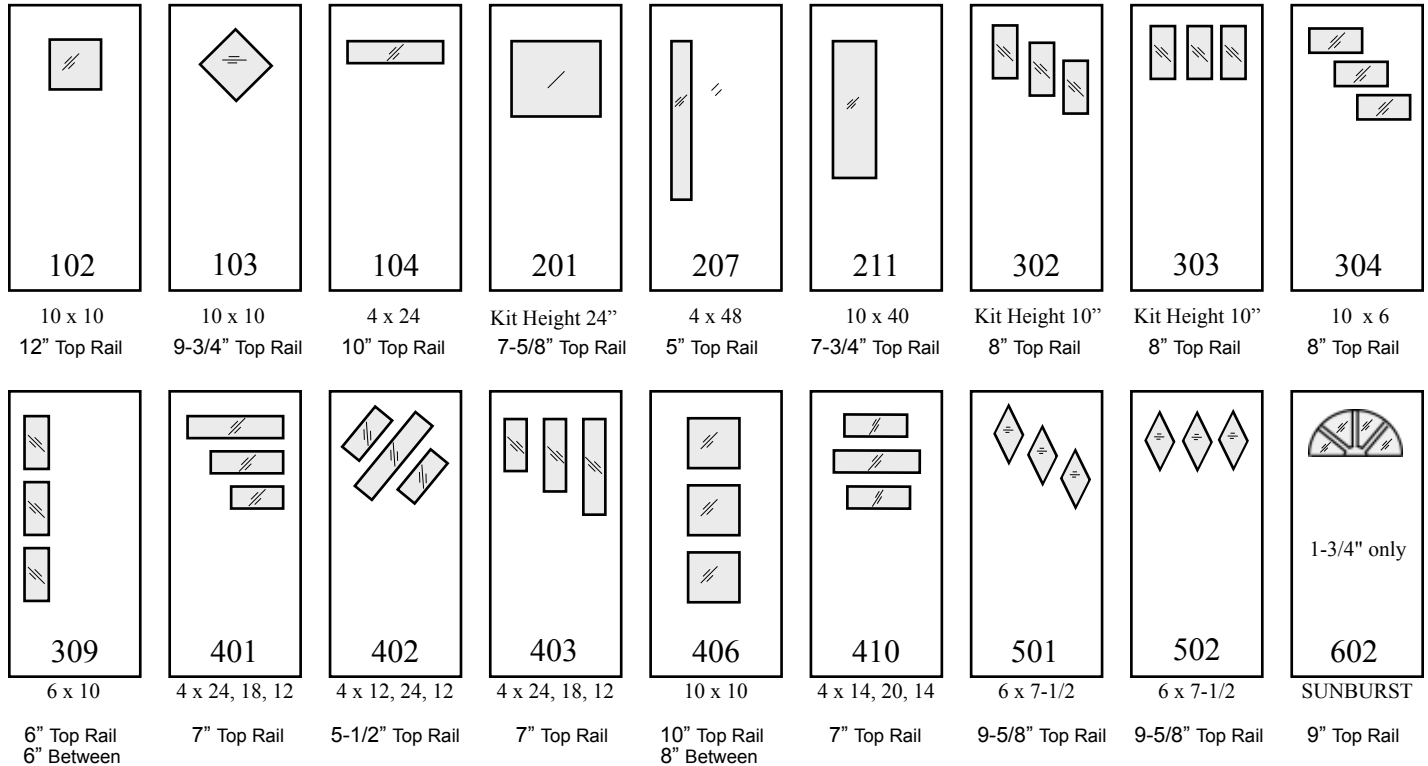


B&B Wood Products inc.

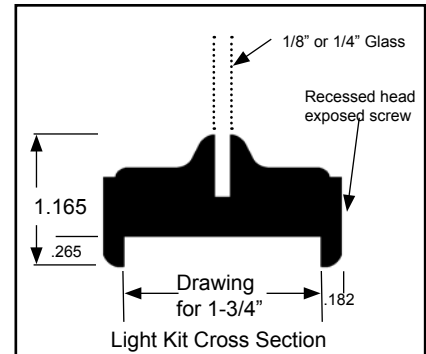
Light Insert Kits

Light insert kits clamp-on to your door. Exposed screws are visible on one side of the door. The following elevations are a few common design options. Beech or Alder (standard-mill option). Maple & Red Oak optional.



Light Kit Placement:

The top rail dimension (top of door to where frame begins) is listed on each drawing for an 80" door height. Add 4" to our standard location for 84" door heights. Add 16" to the 80" layout for 96" high. Light kits that are not centered will have a 6" face stile (edge of door to where frame begins). You can alter the top rail dimension with no additional cost. Specifications are subject to change.



1-3/8" & 1-3/4" Wood Light Inserts

Cut out area is 1" larger than listed size. Glass is 1/8" tempered with with 1/4" and insulated as options.

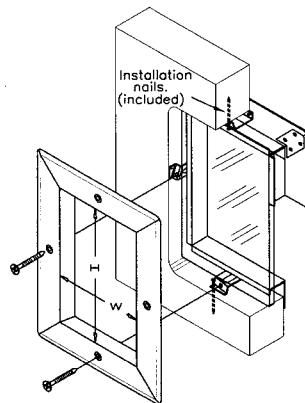
Size (wxh)
4x12
4x16
4x18
4x20
4x24
4x48
5x10
6x6
6x10
6x30
10x10
10" Octagon
10x40

Size (wxh)
12x12
13" Circle
16x16
20x20
20x24
20x30
20x36
20x64
22x36
22x64
24x24
24x30
24x36

Size (wxh)
20x20 2 LT
20x24 2 LT
24x24 2 LT
24x36 3 LT
20x36 9 LT
24x36 9 LT
Sunburst 1-LT
Sunburst 4-LT

Sizes listed with a divided light pattern have an applied grille on both sides of the glass.

Metal Vision Kits for Label Doors



For 1-3/4" thick doors and 1/4" thick glass.

Cut-Out Size: Kit size + 1-1/2"

Glass Size: Kit size + 3/4"

Finish is beige polyester powder coating. No glazing compound, tape or intumescent is required for most label applications.

Frames are approved for up to 90-minute fire rating.

Stock Kit Size
4X25
5X20
8X12
10X10

UL & WHI listed. Meets L10B requirements for Negative pressure and UL10C & UBC 7-2(1997) for positive pressure.

The use (size) of a vision panel for fire purposes is dictated by the construction and testing of the door.

B&B stock fire doors have some of the following limitations.

45-minute: Vision panels are not to exceed 1296 sq. in.

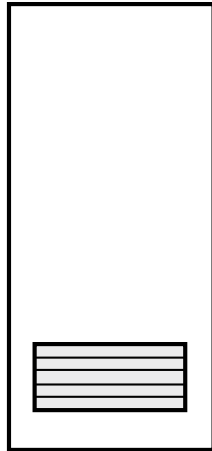
60-90 minute: Vision panels are not to exceed 100sq. in.

Light cut-outs must have a minimum of 5" to the door edge or any other cut-out (light or hardware).

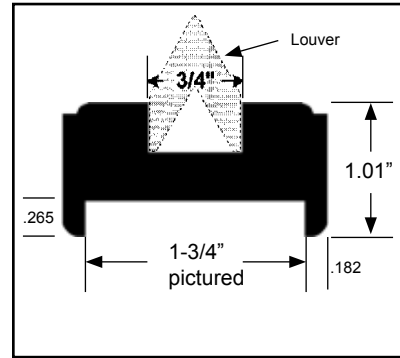
Fire Rated Glass - Clear glass can be quoted. Verify if your local inspector approves wire glass for fire applications before ordering.

1-3/8" & 1-3/4" Wood Louver Inserts

Louver insert kits clamp-on to your door. Exposed screws are visible on one side of the door. Beech or Alder (standard-mill option). Maple, Cherry, Mahogany, & Red Oak optional.



Specifications are subject to change.



Louver Chevron Kit Cross Section
Approximately 35% free air-space

Cut out area is 1" larger than listed size.

Note: 20" & wider kits may have a vertical support mullion (not pictured). Call for a quote if having a mull or no mull is critical to your application.

Stock
Size (wxh)
12 x 8
12 x 12
14 x 12
16 x 12
16 x 16
18 x 12
20 x 12
20 x 16
20 x 20
20 x 24
24 x 12
24 x 18
24 x 20
24 x 24

Options: Our louver kits have chevron louvers as pictured above. Slat louver kits (about 50% free air-space) and wide slat kits (about 60% free air-space) are available on special order.

Flush Louver kits (stops nailed into door, not a clamp on) for 1-3/4" thick doors are another option. Flush kits are made to the exact outside measurement ordered. Do not cut the hole in your door until the frame is received to ensure proper installation. There are NO screw holes on flush framed louvers.

Free air-space differs based on louver size. Contact us if you need to know the free air-space of the louver kit you are going to order.

Custom size kits are available. We need to know the cut-out size of your door and the door thickness.