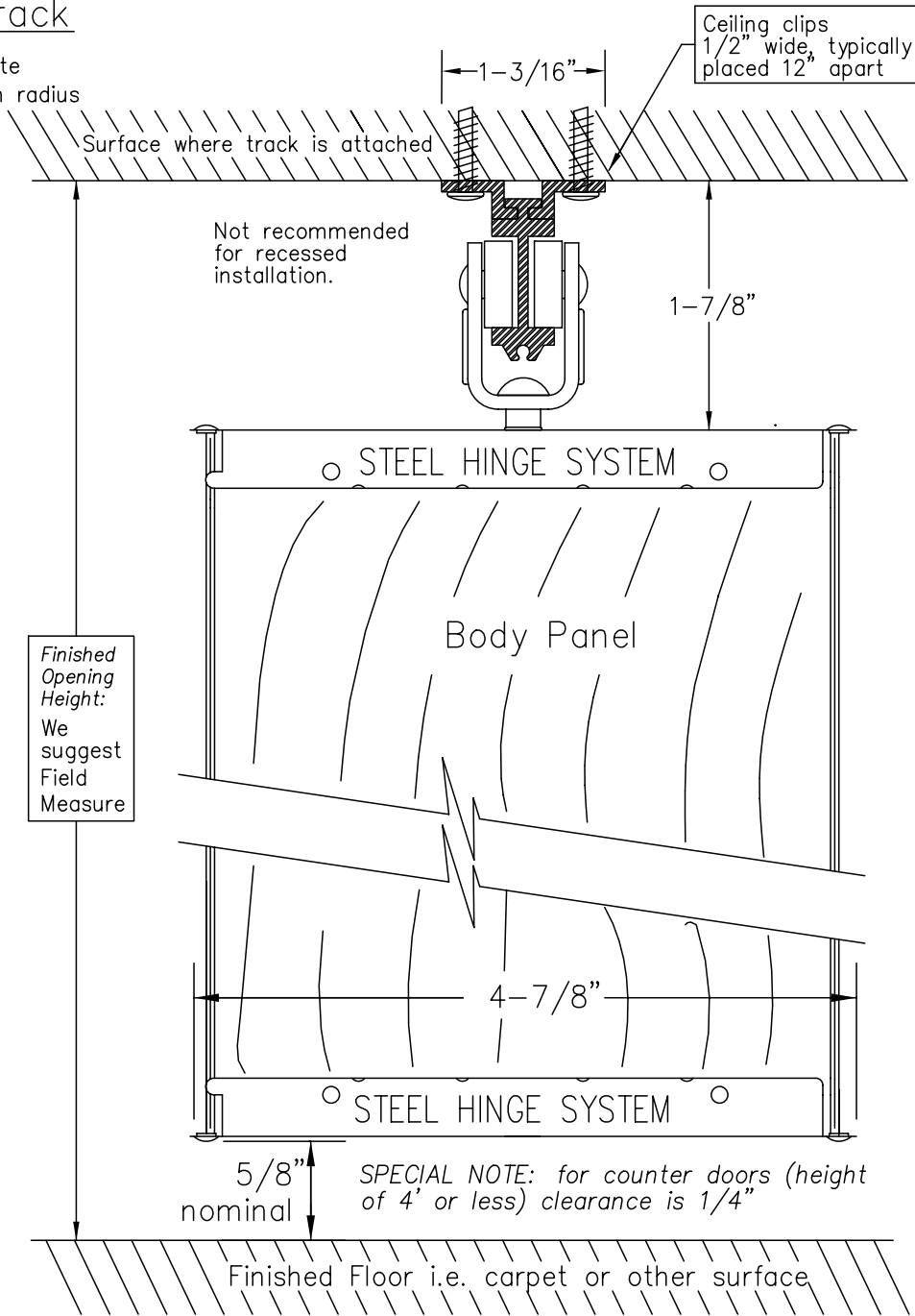


I-Beam Track

Curvable at job site
to a 12" minimum radius

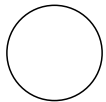


Finished
Opening
Height:
We
suggest
Field
Measure

For Floor Clearance other than above please specify

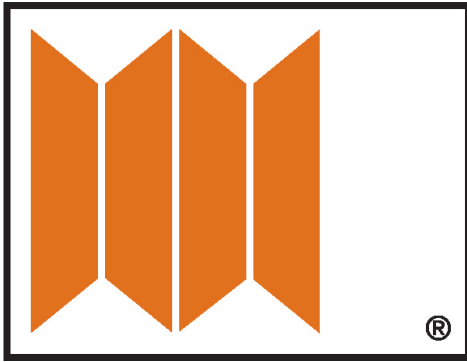
Woodfold Manufacturing, Inc.
PO Box 356 Forest Grove OR 97116
<http://www.woodfold.com>

CAD IBM-240



I-BEAM TRACK - MODEL 240

WOODFOLD

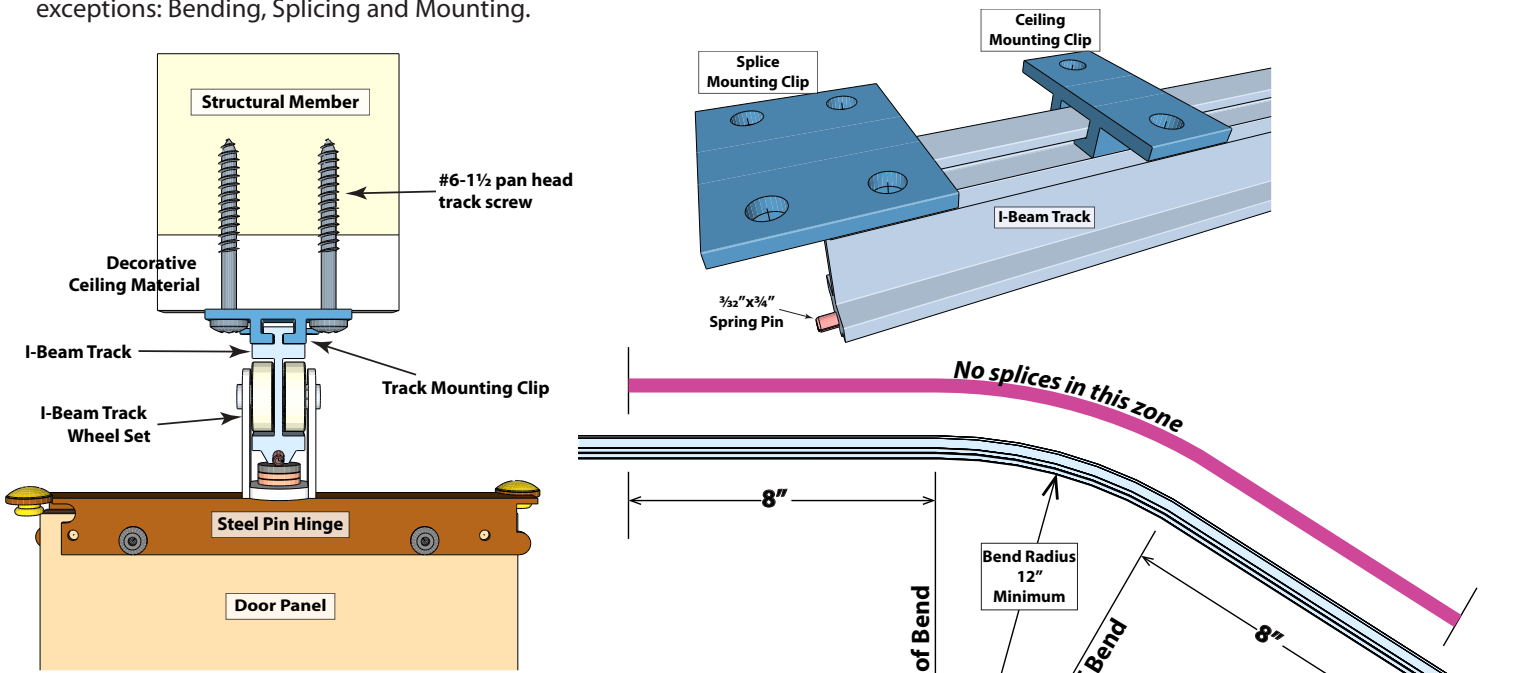


I-BEAM ADDENDUM TO INSTALLATION INSTRUCTIONS DOOR SERIES: 240, 440/540, 640/740

BULLETIN IBEAMADD-130207

I-BEAM STYLE TRACK ADDENDUM TO THE WOODFOLD INSTALLATION INSTRUCTIONS

OK, the door you purchased has an I-Beam Track instead of the style shown in the rest of these instructions. The main reason to use an I-Beam Track is its ability to gently curve around corners or obstacles. Installation is the same for both track types with a few exceptions: Bending, Splicing and Mounting.



Woodfold strongly suggests preparing for the track installation by laying out the curve(s), full sized, on the floor or other convenient flat surface. A rope, drop cord or hose work very well. If splices are required for multiple sectioned track, do NOT locate a splice within 8" of a curve.

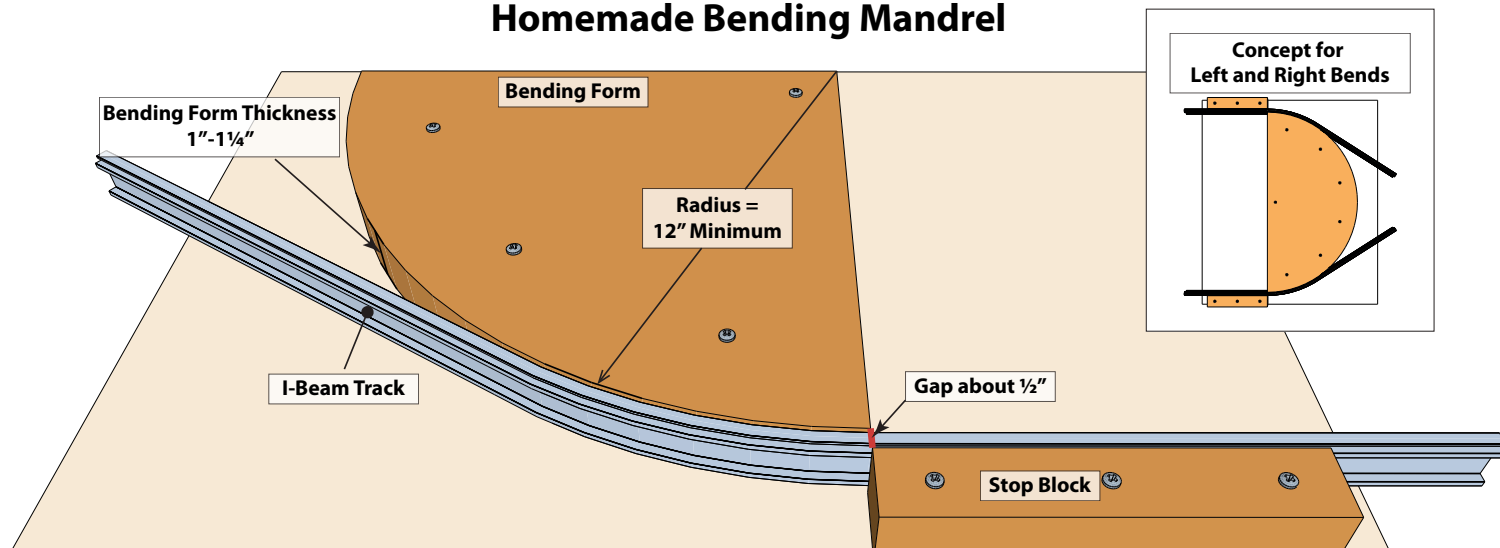
Locate and mark, (masking tape works well) the start of the bend on the track. Check to make sure the track is oriented correctly. It is very frustrating to complete the bend perfectly only to discover the track was upside down during bending and now bends in the wrong direction.

Place the track around a sturdy round object with the track contacting the object just on the bend side of the masking tape mark. Now pull gently on the tail to bend the track.

Bending the track across the knee, around a handy pipe or 5 gallon bucket will make the bend either too sharp or kinked. The next page has some ideas for bending the I-Beam Track.

Take your time. Check the bend by placing the track over the laid out curve. Make final adjustments when anchoring the track with the Ceiling Mounting Clips.

Homemade Bending Mandrel



Once all your bends are just the way you want them, slip on the Ceiling Mounting Clips. Place a clip about 2" from the end of the track, and about every 8" to 12" along the straight sections and every 4" to 6" around the curves.

When multiple sections of track are used, place a large Splice Mounting Clip over the joint between track sections. Insert the alignment pins into the groove of the track at the end that will mate to the next section. The split in the pin **MUST BE AWAY** (perpendicular, see inset below,) to the slot in the track. Drive the spring pins completely into one track using a hammer.

Use #6-1½" pan head screws to attach the Ceiling Mounting Clips and Track to the door header. Start at the jamb side where the door will stack and install enough clips to accommodate the stacked door. Seat the head of the screws firmly against the Mounting Clips. If the screws didn't go into a solid part of the header (soft stuff like sheet rock or acoustical tile doesn't count) at least ¾", now would be a good time to go to the hardware store and get longer #6 Pan Head or Truss Head screws.

Stand the door on the floor at the loose end of the track. Gently thread the door or doors onto track. With the door(s) stacked against the jamb, install the remaining track sections. Remember to use the large Splice Mounting Clips across any track joints

After securing the track, drive the alignment pin back halfway into the second piece of track with a hammer and the edge of a screwdriver.

Congratulations! You have installed your door on the I-Beam Track! **Now, return to the regular instructions for the rest of the installation.**

Alternate ideas for bending aids

- 👉 whisky barrel planter
- 👉 55 gallon drum
- 👉 plywood/particle board round available at home centers
- 👉 big flower pot
- 👉 drip pan for water heater
- 👉 automobile spare tire

