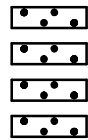


HOT DIPPED GALVANIZED OR STAINLESS STEEL THREADED ROD

LENGTH DETERMINED BY COLUMN HEIGHT

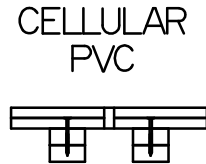
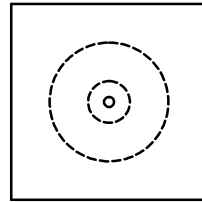
0.50"X66"
0.50"X90"
0.50"X96"
0.50"X120"

ALUMINUM BEAM MOUNTING PLATES
USED IN SOME APPLICATIONS



STAINLESS STEEL SCREWS

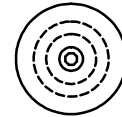
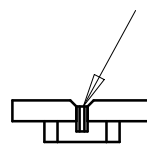
PERGOLA COLUMN CAP



PERGOLA COLUMN MOUNTING KIT

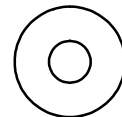
HOT DIPPED GALVANIZED STEEL

COUPLING NUT



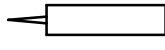
CELLULAR PVC

HOT DIPPED GALVANIZED OR STAINLESS STEEL THREADED ROD 0.50"X30"

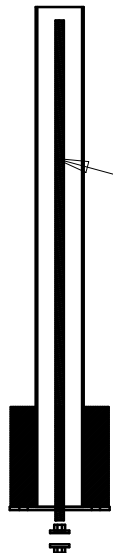


CELLULAR PVC

BOLT ANCHORING ADHESIVE

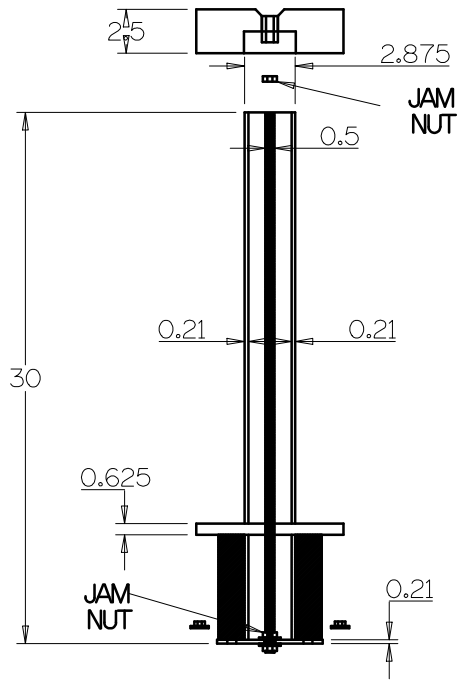


0.375"X6.00" HOT DIPPED GALVANIZED THREADED ROD







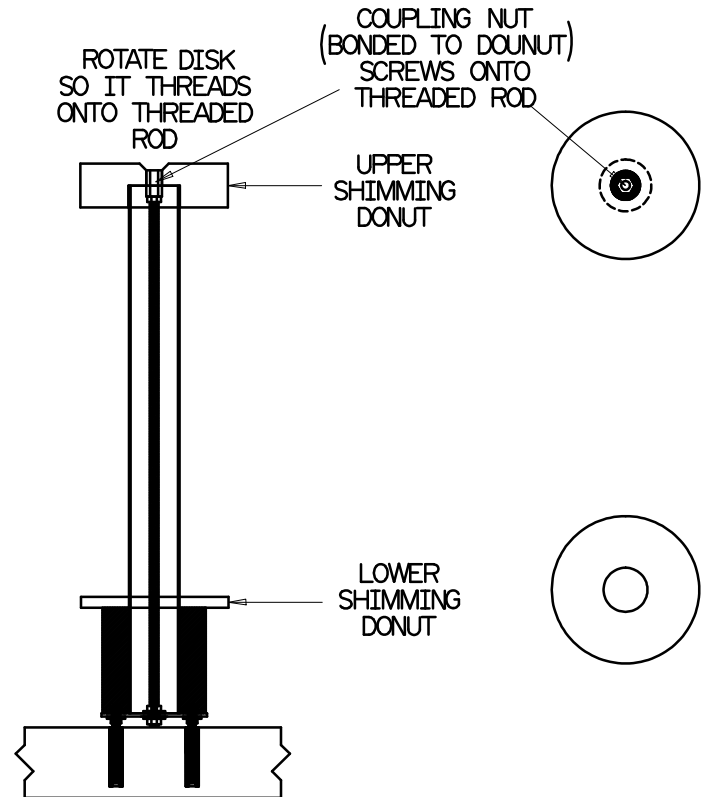


STEP 1

ATTACH MOUNTING BRACKET TO SLAB OR DECK

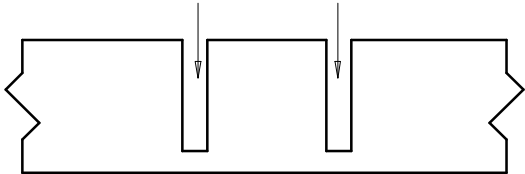
FOR CONCRETE:
 0.375" THREADED
 ROD EXPOXY
 ANCHORED INTO
 CONCRETE
 (THREADED ROD
 OPTIONAL ACCESSORY)
 (EPOXY AND EXPOXY GUN)
 (OPTIONAL ACCESSORIES)

FOR WOOD DECKS
 THROUGH BOLTS
 (SUPPLIED BY END USER)
 LAGS ARE NOT
 RECOMMENDED

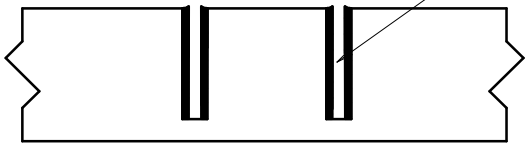


DRILL 7/16"
DIAMETER HOLE IN
CONCRETE

CLEAN HOLE OUT
THOROUGHLY



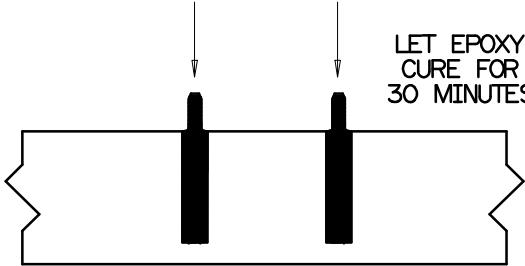
SQUIRT EPOXY
IN HOLE



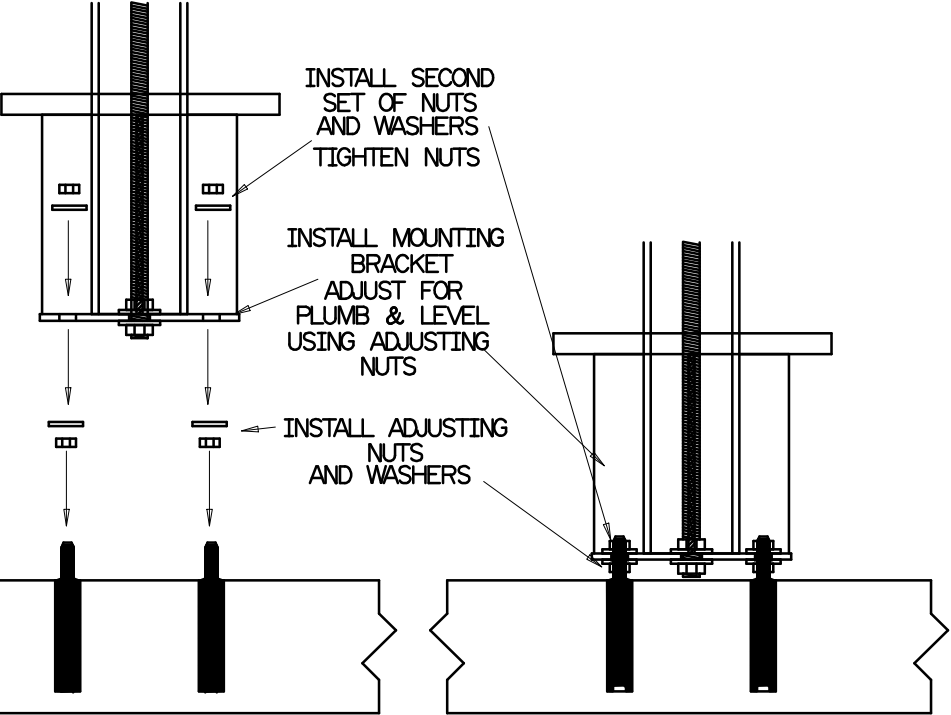
INSERT THREADED
ROD IN HOLES



LET EPOXY
CURE FOR
30 MINUTES



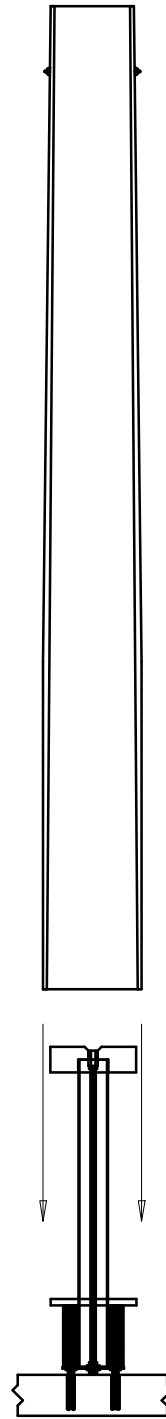
PERGOLA COLUMN
MOUNTING BRACKET
INSTALL DETAIL



STEP 2

LIFT COLUMN
AND SLIDE OVER
MOUNTING
BRACKET

COLUMN SHOULD
REST ON SLAB
OR DECK



STEP 3

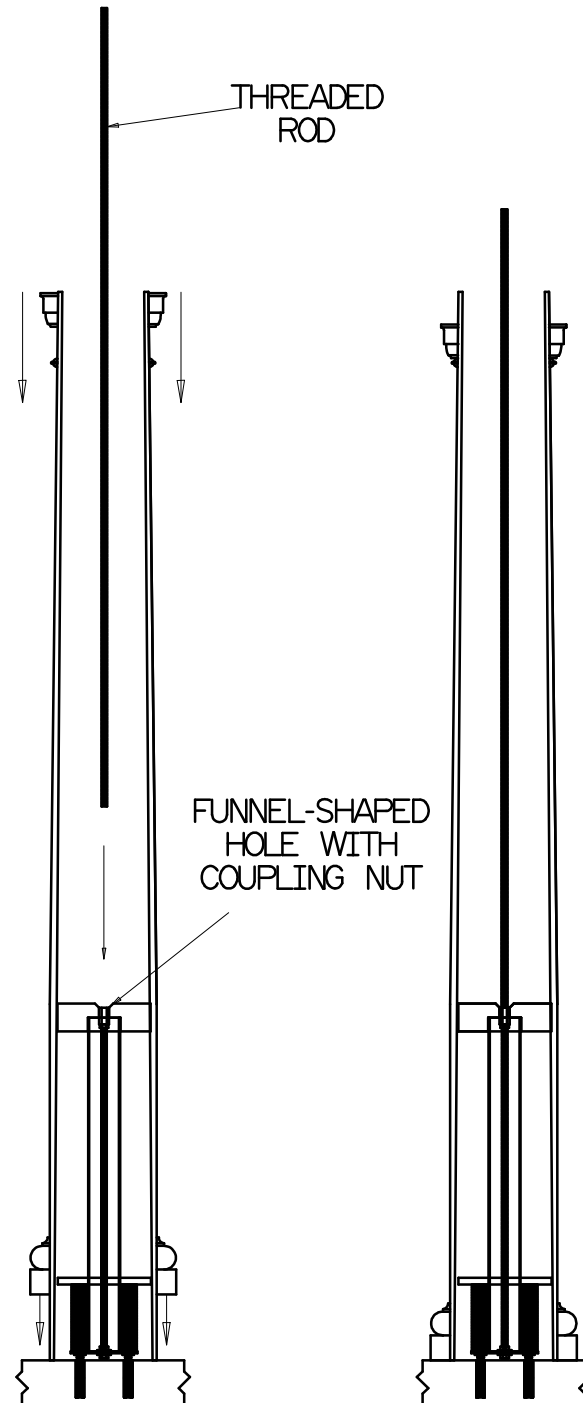
SLIDE URETHANE
BASE OVER
COLUMN AND
DROP DOWN
TO SLAB
OR DECK

SLIDE STANDARD
URETHANE CAP
OVER COLUMN SHAFT
AND LET IT
SLIDE DOWN THE
COLUMN SHAFT
UNTIL IT STOPS
ON TOP OF THE
NECK MOULDING

SLIDE THREADED ROD
DOWN INSIDE COLUMN
SHAFT UNTIL IT HITS
TOP OF UPPER DONUT

THE FUNNEL SHAPED
HOLE IN THE TOP
OF THE UPPER DONUT
WILL LEAD THE
THREADED ROD TO
THE COUPLING NUT

SCREW THE THREADED
ROD INTO THE COUPLING
NUT COMPLETELY



STEP 4

SLIDE SPECIAL COLUMN
CAP LID INTO PLACE

CIRCULAR BLOCK
ON BOTTOM OF CAP LID
WILL SLIDE DOWN INSIDE
COLUMN SHAFT.
THREADED ROD WILL PASS
THROUGH THE CAP LID
AND COME OUT THE TOP

IF THE BEAMS OF YOUR
PERGOLA ARE DESIGNED TO
HAVE THE THREADED ROD
PASS THROUGH THEM,
INSTALL THE BEAMS
OVER THE THEADED ROD

AT THE TOP OF THE COLUMN
SHAFT, SCREW THROUGH THE SIDE
OF THE COLUMN INTO THE EDGE
OF THE CIRCULAR BLOCK ON
THE UNDERSIDE OF THE CAP LID

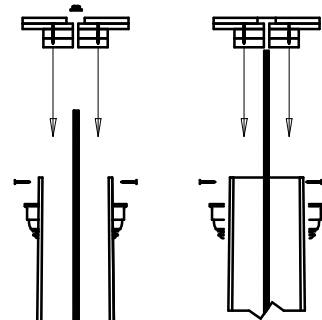
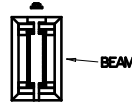
PLACE WASHER OVER END
OF THREADED ROD AND
SCREW NUT ONTO END
OF THREADED ROD.

TIGHTEN NUT UNTIL IT IS
SNUG AGAINST THE COLUMN
CAP LID OR BEAM, DEPENDING
ON THE DESIGN OF
YOUR PERGOLA.

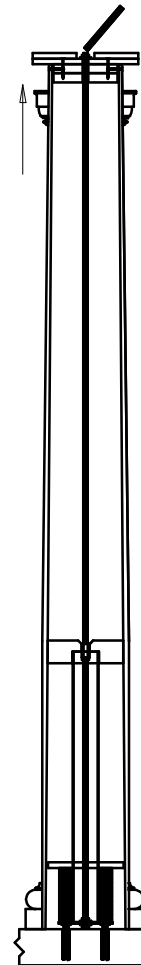
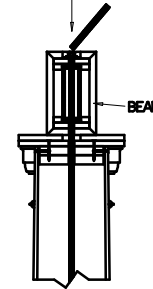
WITH A HACK SAW,
CUT OFF THE EXCESS THREADED
ROD SO IT DOES NOT
EXTEND ABOVE THE TOP
OF THE CAP LID

SLIDE URETHANE CAP UP
UNTIL IT HITS THE BOTTOM
OF THE CAP LID
SCREW THE URETHANE
CAP TO THE CAP LID

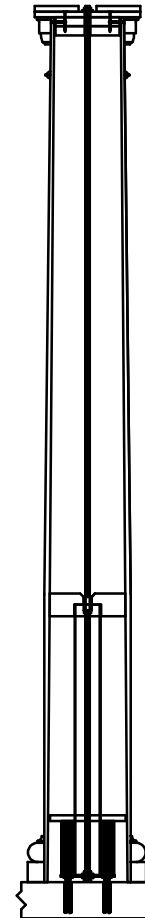
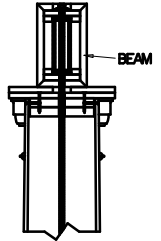
ALTERNATE
THREADED
ROD PASSES
THROUGH
BEAM

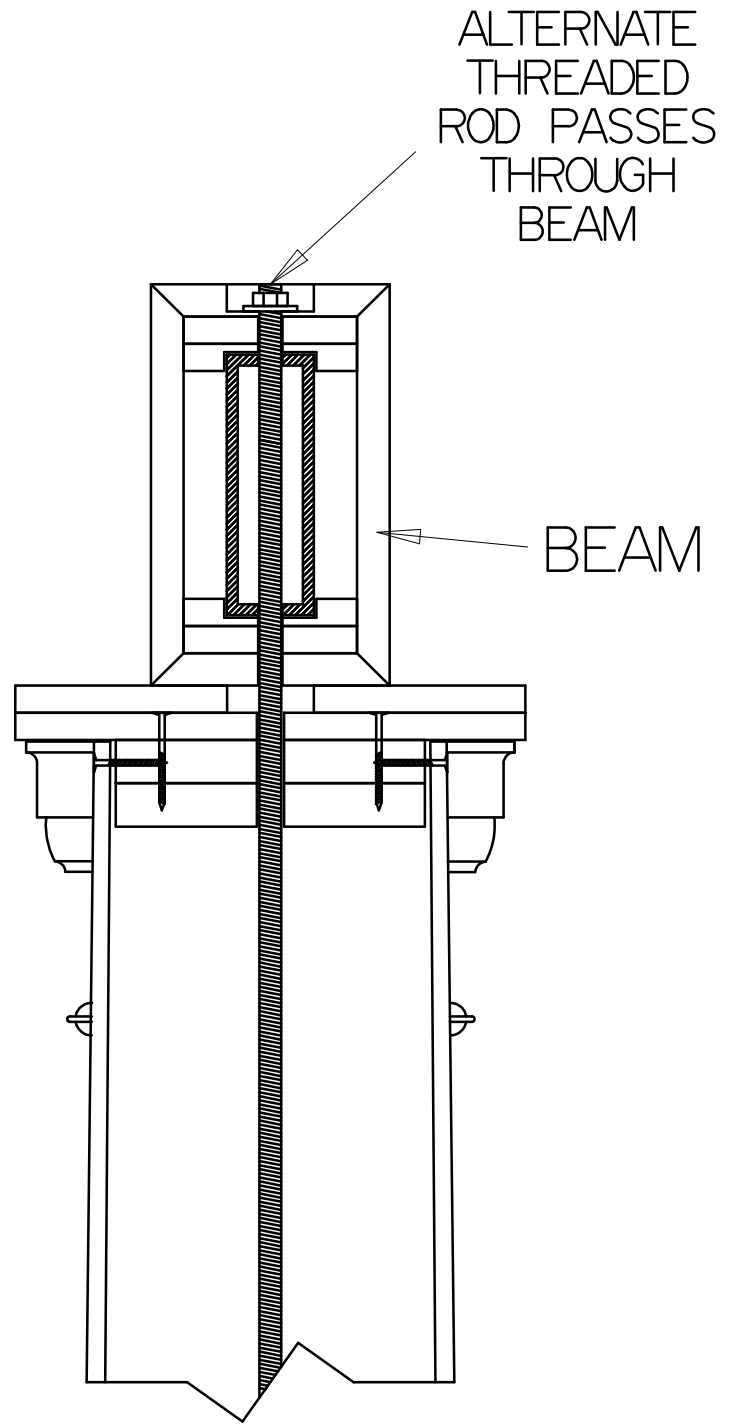
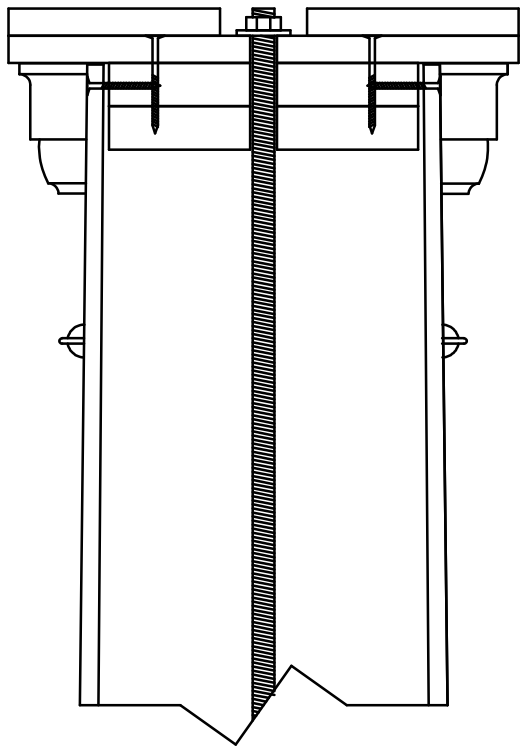


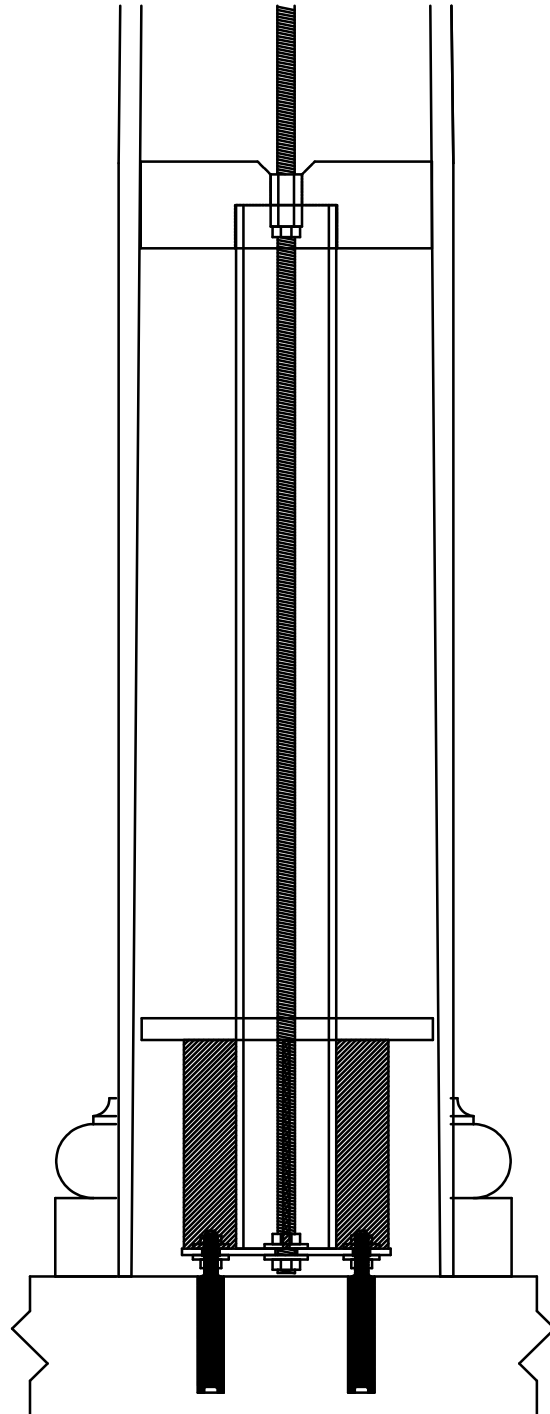
ALTERNATE
THREADED
ROD PASSES
THROUGH
BEAM



ALTERNATE
THREADED
ROD PASSES
THROUGH
BEAM







HOT DIPPED GALVANIZED COLUMN MOUNTING BRACKET

0.210" THICK GALVANIZED STEEL PLATE FINS WELDED TO GALVANIZED TUBULAR SLEEVE

0.210" THICK GALVANIZED STEEL PLATE

HOT DIPPED GALVANIZED OR SS 0.50" DIA THREADED ROD

