

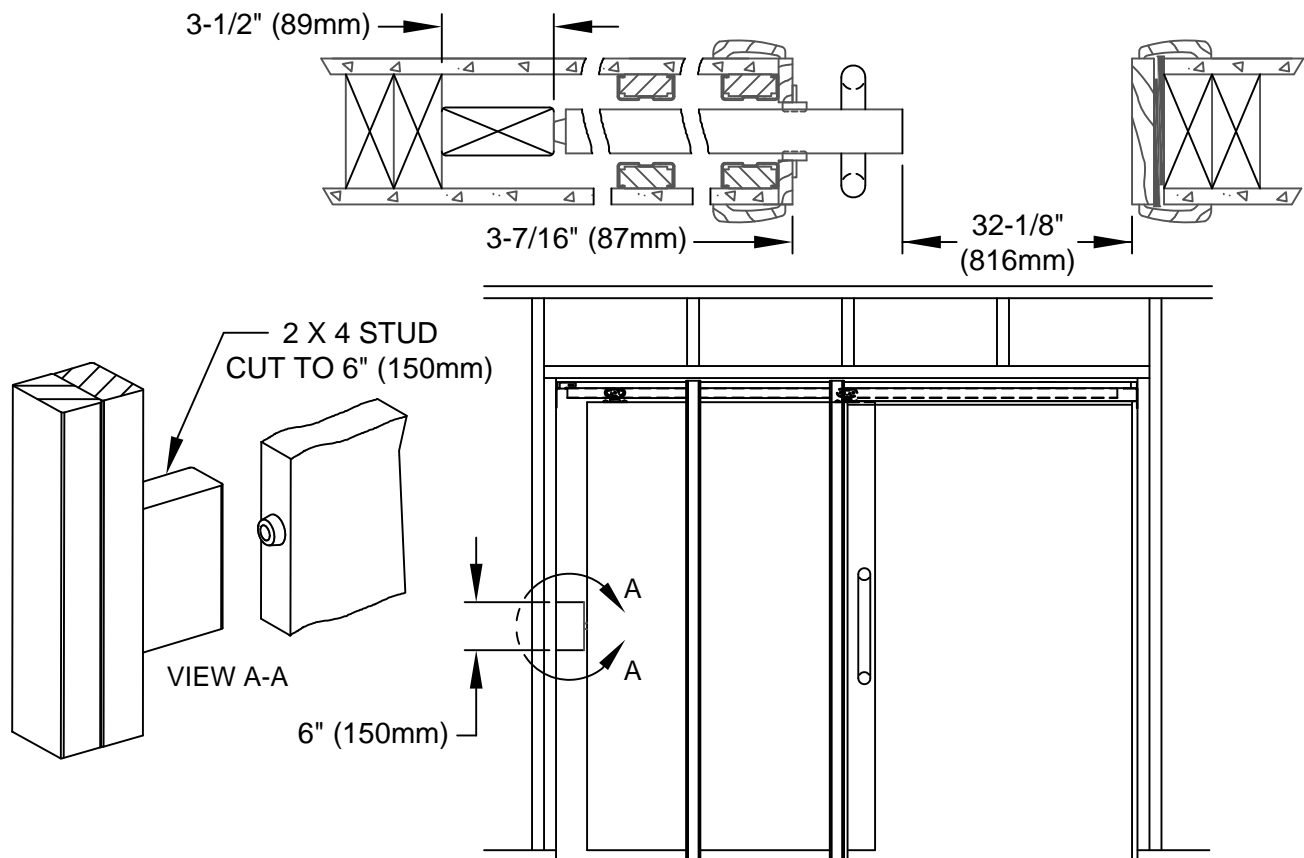


# INSTRUCTIONS

## HANDICAPPED ACCESSIBLE OPENING

www.johnsonhardware.com

- The Pocket Door Frame is the perfect solution to achieve handicapped accessible opening in the interior of any home or commercial establishment.
- The Pocket Door does not need to swing in or out of an opening. The swinging of a door requires forward or backward movement of a person using a walker or a wheel chair.
- All the Pocket Door requires is the movement of the door left or right. The handicapped person can support themselves in the walker or wheel chair and move their arm across the front of their body.
- A swinging door requires a person to move backward or forward to follow the movement of the door. This requires the handicapped person to not only operate the door with one hand but move the walker or wheel chair with the other. This may be just an irritant to someone in a wheel chair, but it could be dangerous for someone using a walker.



### 1500 SERIES FRAME WITH HANDICAP PULLS

To meet ADA 4.13.9 Door Hardware and 4.13.11 Door Opening Force requirements, the handicap pulls need to always be exposed in the opening and the maximum force to move the door is 5lbs. (2.3kg). **To achieve this, start with a 153068PF Pocket Door Frame, with #1125 ball bearing hangers, and a 36" (914mm) door.**

*(Can also use the 2000 or 2511 for 2 X 4 stud walls, 2 X 6 stud walls use the 2060 or 1560)*

1. Make the rough opening according to the instructions for a 36" (914mm) door.
2. Before drywalling the opening, put a 2 X 4 by 6" (150mm) piece of wood on the pocket end rough stud at the point the rubber bumper, which is attached to the door, would hit the rough stud.
3. Apply drywall
4. Finish opening according to instruction sheet.
5. After opening has finished trim on it, the door will protrude from the pocket approximately 3-7/16" (87mm). Attach large "U" shaped handicap pull to door.
6. The clear opening will be approximately 32-1/8" (816mm).
7. If you would like a larger amount of the door protruding into the opening or more clear opening use a larger frame and door.  
**Example: 42" (1066mm) door and 5-7/16" (138mm) of door protruding would equal a clear opening of 36-1/8" (916mm).**