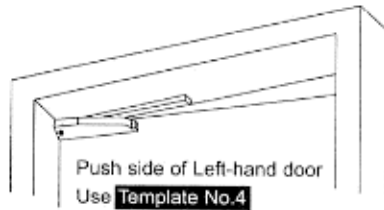
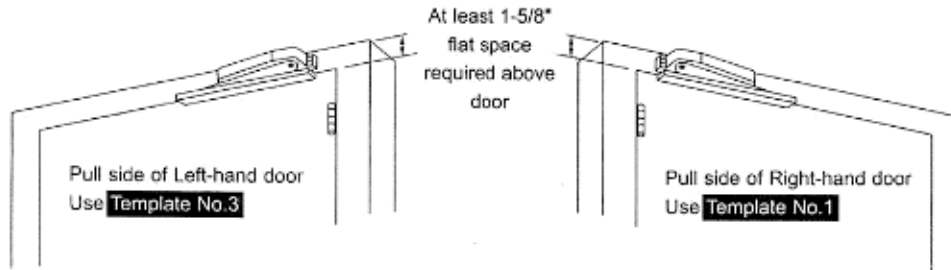
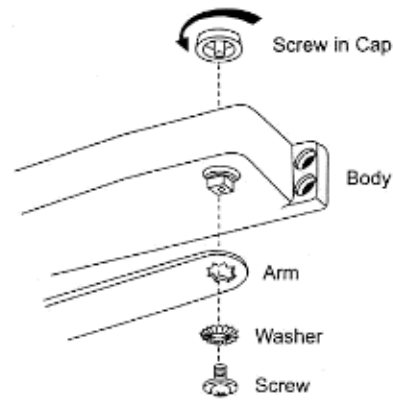


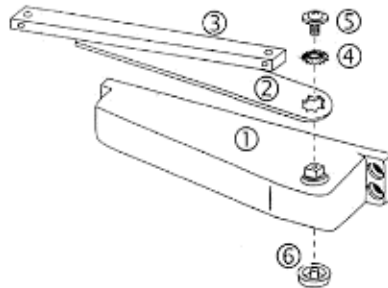
# INSTALLATION INSTRUCTIONS

- Compare your door set-up with the four diagrams below to determine your correct configuration.
- For installing on the pull(hinge) side of door, there must be at least 1-5/8" flat space above the door.
- The door closer is set for the right-hand door. If you want to install it on the left-hand door, dis-assemble and then secure the parts according to the right illustration.

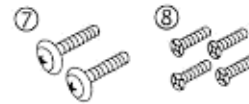


## Parts List

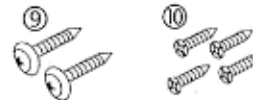
- ① Body
- ② Arm
- ③ Slider
- ④ Washer
- ⑤ Screw
- ⑥ Cap
- ⑦ Slider machine screws
- ⑧ Body machine screws
- ⑨ Slider wood screws
- ⑩ Body wood screws



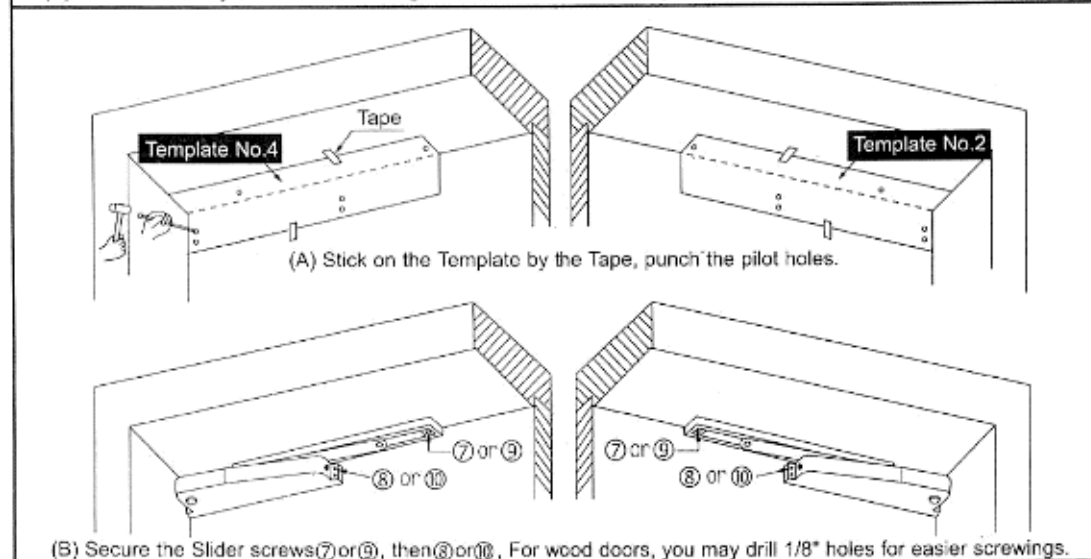
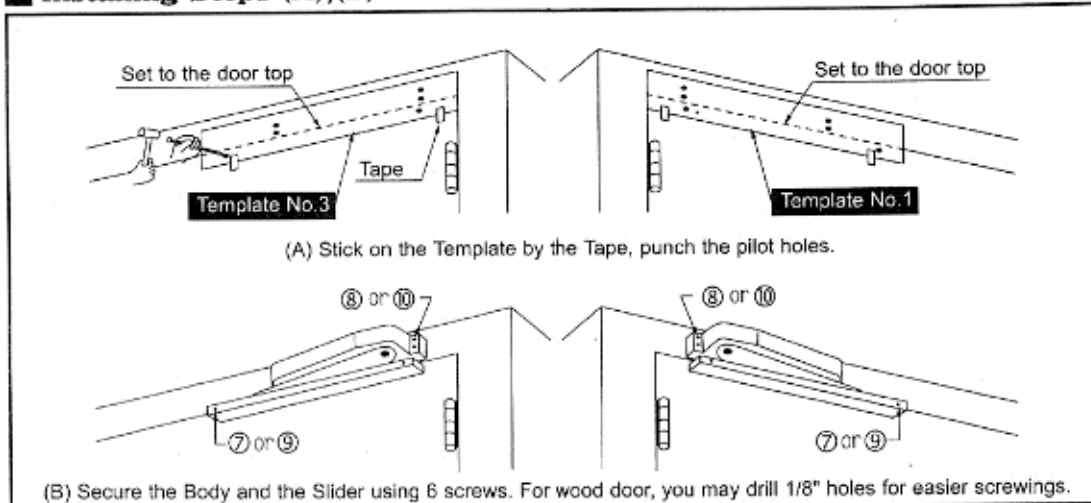
For metal doors(Aluminum, Steel)



For wood door



## ■ Installing Steps (A),(B)



## ■ Adjust your desired speed

