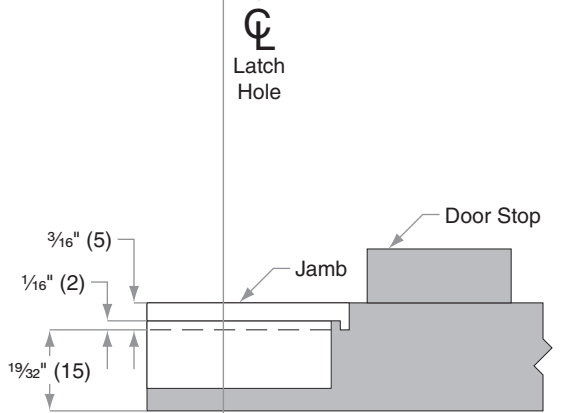
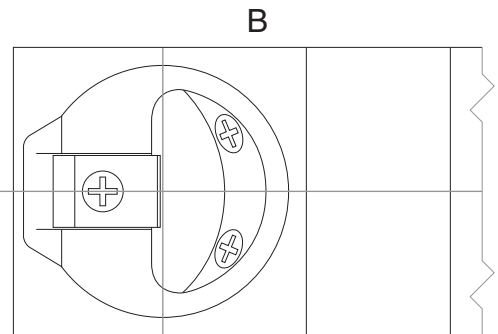
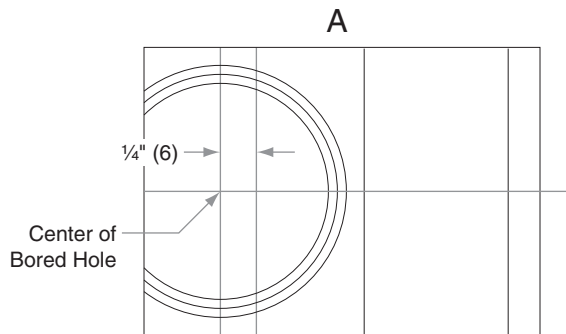




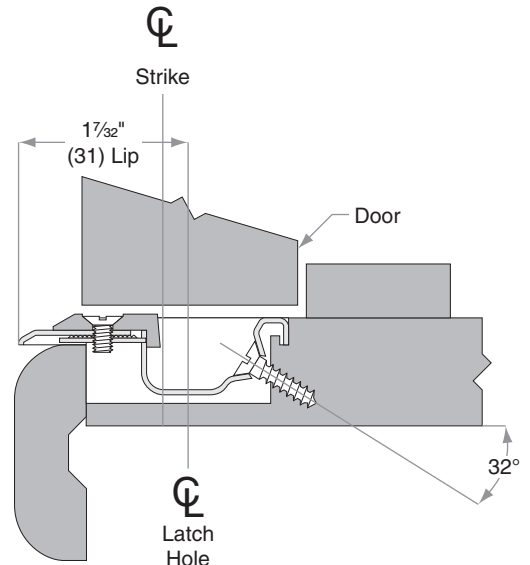
# Strikes

## Model 10-058

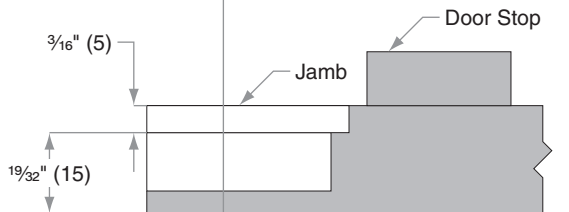
Jamb Type: Wood  
 Style: Circular Drive-In  
 Standard for:  
 Optional for: A-Series | AL-Series | F-Series



**SECTION A**  
 Standard Installation:  
 Use Schlage boring tool 40-112



**SECTION B**  
 Typical adjustable circular strike installation



**SECTION A**  
 Alternate installation using standard boring tools:  
 Step 1. Drill 1 3/4" (44) Dia. Hole, 3/16" (5) deep  
 Step 2. On same Centerline, drill 1 1/2" (38) Dia. Hole, 19/32" (15) deep

Dimensions shown in parentheses ( ) are in millimeters.

Door preparation template