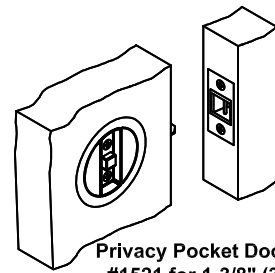




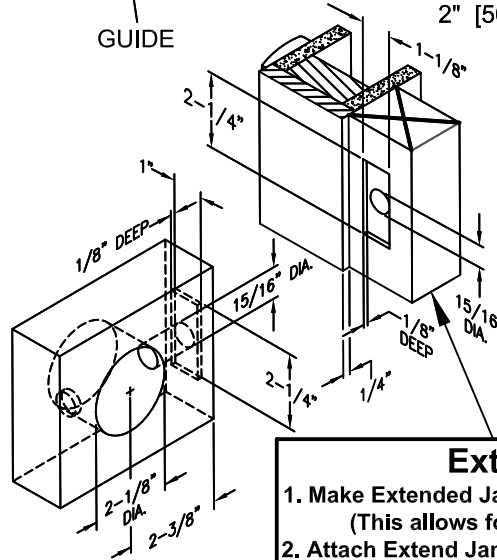
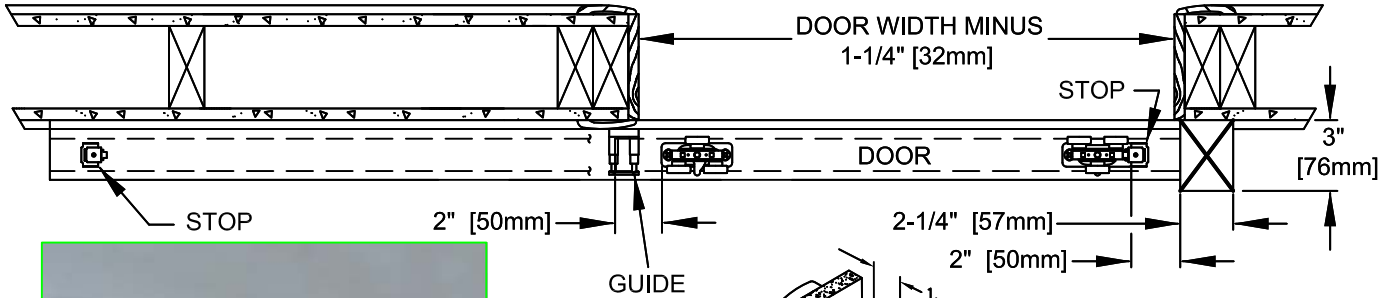
www.johnsonhardware.com

INSTRUCTIONS

OPTIONAL EXTENDED JAMB LATCH INSTRUCTIONS



Privacy Pocket Door Lock
#1521 for 1-3/8" (35mm)
#1534 for 1-3/4" (45mm)



Extended Jamb
1. Make Extended Jamb, 3" X 2-1/4" X Height of Track.
(This allows for 3/4" casing and baseboard.)
2. Attach Extend Jamb to wall 1/4" from opening edge.

Important: Do Not Remove Screws from Locating Blocks on Plate.

- 1** MARK DOOR for 2-1/8" (54mm) bore on face of door, and 15/16" (24mm) bore on edge of door approximately 36" (1.4m) above floor. **NOTE: LOCK WILL FIT AND FUNCTION PROPERLY IN EITHER 15/16" (24mm) OR 1" (25.4mm) BORE FOR LATCH BOLT.**
- 2** BORE 2-1/8" (54mm) hole in door face (Boring from both sides of door to prevent splitting). Bore 15/16" (24mm) hole in door edge 3-5/8" (92mm) deep. (Make sure 15/16" (24mm) mark is center of door edge). Mark and mortise for latch 1/8" (3mm) deep.
- 3** REMOVE STRIKE plate from lock by depressing latch release.
- 4** INSTALL LATCH bolt by depressing nylon locking button on bolt to clear 15/16" (24mm) hole. Be sure that locking button is on the locking side desired. **A)** Place Plate with locating blocks opposite locking side into 2-1/8" (54mm) bore. Be sure that the "Safety Release Hole" is toward rear of door and away from latch. Take other Face Plate with locking slot, insert "Locking Button Extension" into locking slot. Place locking slot Face Plate and "Locking Button Extension" over locking button and secure with 1/4" (6.4mm) screws provided. **B)** Fasten Latch Plate in mortise with 3/4" (19mm) screws provided.
- 5** INSTALL STRIKE, Slide pocket door closed, hitting jamb to mark location. Drill 15/16" (24mm) hole 1" (25mm) deep in center of marks made by latch. Place strike plate in 15/16" (24mm) hole, making sure plate is plumb with jamb, then mark mortise, 1/8" (3mm) deep. Secure with 3/4" (19mm) screws provided.

