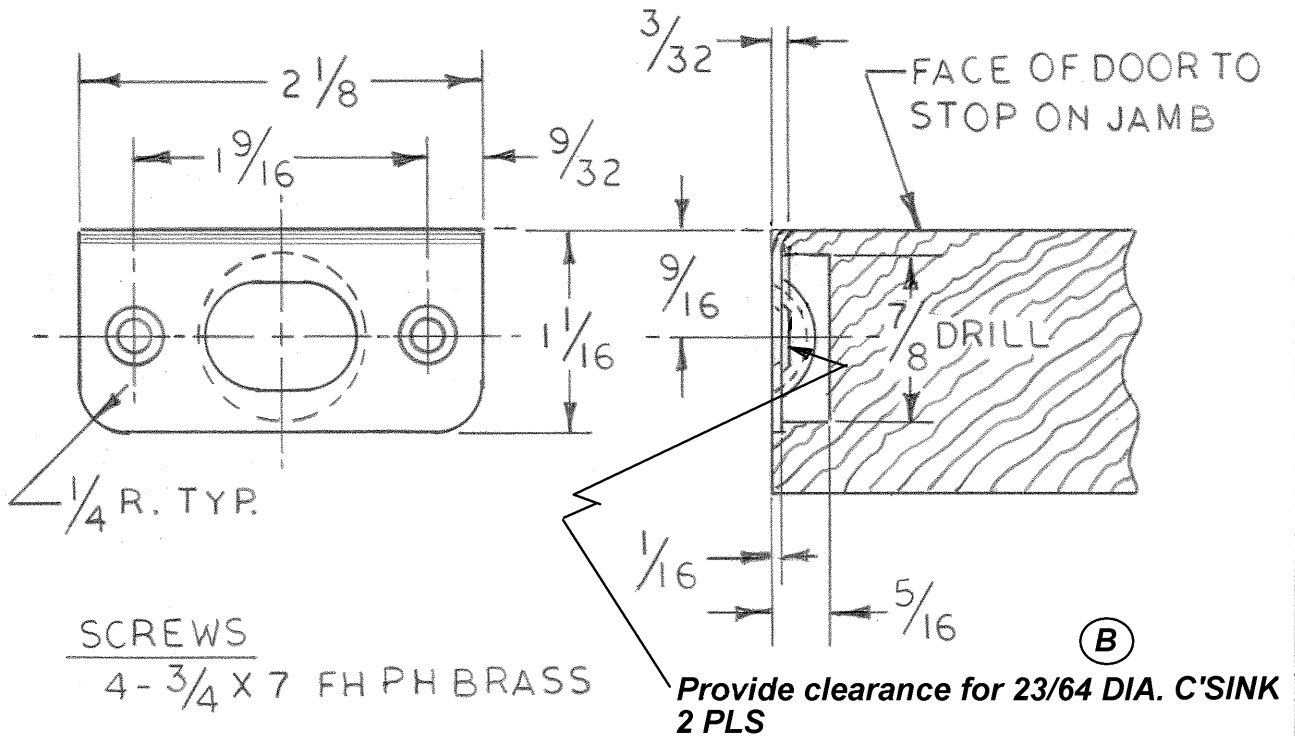
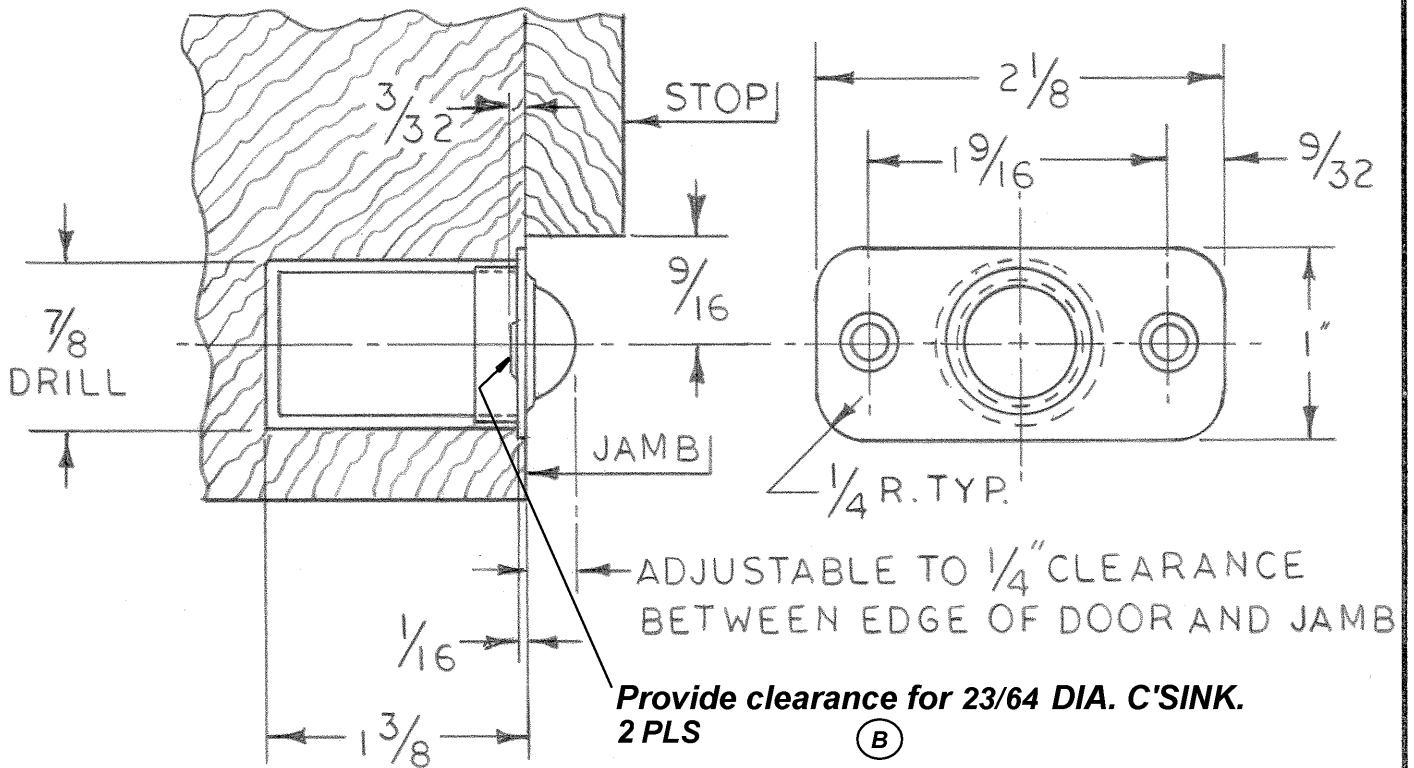


# TEMPLATE DRAWING

## 348 CATCH MOUNTED IN JAMB



SCREWS  
 4- 3/4 X 7 FH PH BRASS



### 348 BALL CATCH

TEMPLATE NO. HB-348-88		THE H. B. IVES CO.	
DRAWN BY: FJH		P.O. BOX 1887, NEW HAVEN, CONN. 06508	
DATE: 5-27-88			