

Step 4: Attach Ledger to Wall  
 -Pre-drill holes through the flush mount bracket, ledger, & adjacent substrate.  
 Secure ledger w/ required fasteners for proper installation to substrate.  
 Do Not Attach through Decorative Tails if present on Ledger.

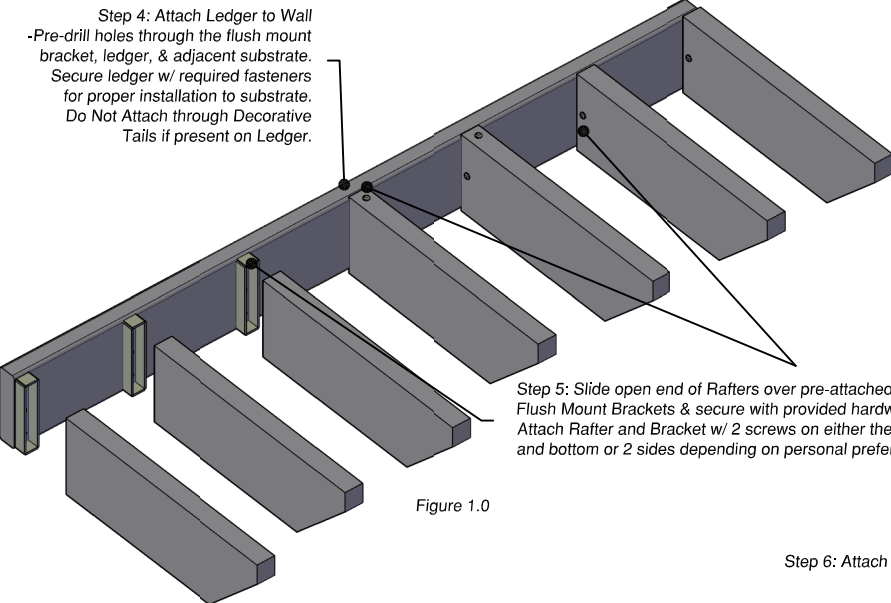


Figure 1.0

Step 5: Slide open end of Rafters over pre-attached Flush Mount Brackets & secure with provided hardware.  
 Attach Rafter and Bracket w/ 2 screws on either the top and bottom or 2 sides depending on personal preference.

Figure 2.0

Figure 2.1

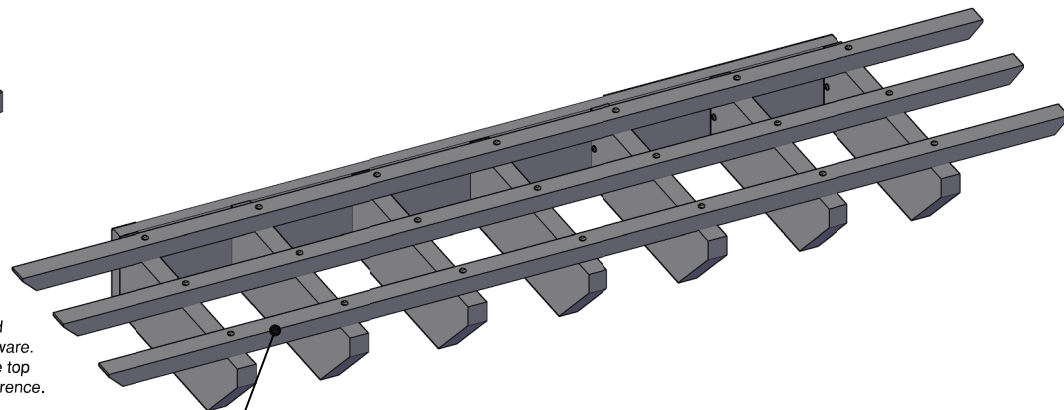
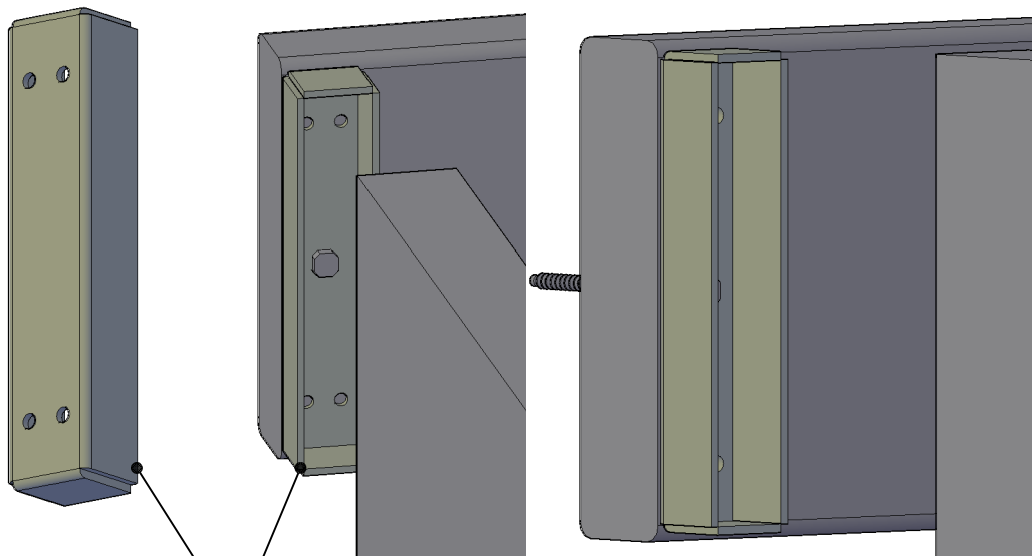


Figure 3.0

Step 6: Attach Purlins to top of Rafters w/ provided hardware.

Figure 2.2



Flush Mount Rafter Bracket will recess inside open end of Rafter

Step 1: Locate Column centers and drill holes into footing or slab to receive 5/8" SS Wedge Anchors. Footings must meet Code Compliance Reqs. for desired geographical location. (Note-Refer to State & Local Building Codes.)

Step 2: Resume Column installation in accordance w/ Free-Standing or Attached Pergola instructions.

Step 3: Once the columns are installed. Center the Header on the top plates of the columns and secure when achieving final orientation.

Step 4: Attach Ledger to wall. Make sure the Top of the Header between span distances on the columns is level w/ the Bottom of the Ledger attaching to the substrate. Pre-drill holes through the Flush Mount Bracket, Ledger, & adjacent substrate. (Figure 2.0-2.2) Secure ledger w/ required fasteners for proper installation to substrate. Do Not Attach through Decorative Tails if present on Ledger. If No Ledger is used, attach the Flush Mount Brackets directly to the desired substrate ensuring the Bottom of the Rafters to be tied in are level with the Top of the Header between span distances of columns.

Step 5: Once Ledger has been secured to substrate/wall, follow the layout pattern and slide the open end of the Rafters over the pre-attached Flush Mount Brackets. Secure Rafter and Flush Mount Bracket with provided hardware. 2 screws are used on either the top/bottom or 2 sides depending on personal preference. (Figure 1.0)

Step 6: Once Rafters are installed. Continue to follow the layout pattern for the Purlins. Attach Purlins to Top of the Rafters using provided hardware. Pre-drill through the top of the Purlins into the Rafters at desired location and secure with hardware. (Figure 3.0)



# ARBORS

Attached Arbor Install Detail