

Catalog 12H

Pricing on BBQuote and store.bbwood.com

Cupolas - Weathervanes Disappearing Stairways



Page 2-7



Page 8-9



Page 16



Page 12-15

	Pages
Folding Disappear Stair	2-5
Sliding Disappear Stairs	6-7
Cupolas: PVC	8
Cupolas: Wood	9
Cupolas: Custom	10-11
Weathervanes-Finials	12-16

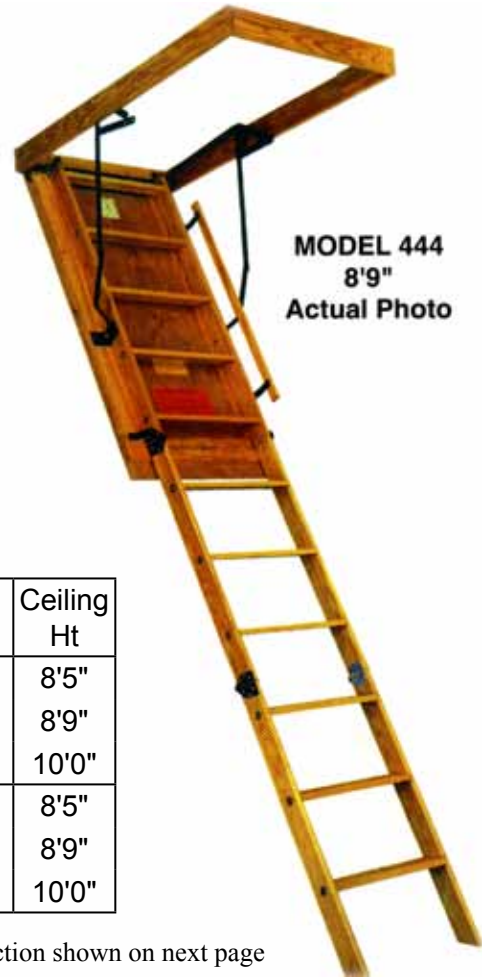
Disappearing Stairways

Designed for Residential Use

444 Model

- Rated for 250 lbs
- 1 x 4 Treads, 1 x 4 Stringers & Frame
- Easy First Step Down from Attic for Personal Safety
- 9-1/2" Tread Rise on All Stairs
- More Treads for Easier Access
- Steel Ladder Rod Under each Tread
- Adjustable Spring Tension
- Hardware plated or painted to prevent rust
- Completely Assembled
- Optional Fire Resistant Door Panel (Class C – Flame) spread not over 25 in a 30 minute test. UL Rating.

Rough Opg		Ceiling Ht
22	x 48	8'5"
22	x 54	8'9"
22	x 54	10'0"
25½	x 48	8'5"
25½	x 54	8'9"
25½	x 54	10'0"



**MODEL 444
8'9"
Actual Photo**

Landing Space and Projection shown on next page

Aluminum Stairs - See page 4

12' Ceiling Height: Model #1200



- Rated for 350 lbs
- Adjustable feet with rubber tread
- Heavy Duty Hinge; Aluminum Treads & Stringers
- R-6 Insulated Panel
- Completely Assembled - Residential Use
- Optional Fire Resistant Door Panel (Class C – Flame) spread not over 25 in a 30 minute test. UL Rating.

Rough Opening W x L	Ceiling Height	# of Treads	A** Landing Space	B Projection
22" x *	10'-12'	13	81"	89"
25½" x *	10'-12'	13	81"	89"
30" x *	10'-12'	13	81"	89"

*The Rough Opening length is currently 66". There will be a running change in 2021 changing the RO length to 63". Please contact our office to verify which model is stock.

**We recommend adding 18" to landing space for safety

Disappearing Stairways

Designed for Residential Use

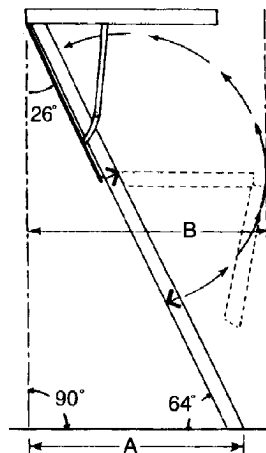
655 Model



MODEL 655
8'9"
Actual Photo

- Rated for 300 lbs (350 lbs on 10'8" height)
- 1 x 6 Treads
- 1 x 5 Stringers & Frame
- R-6 Insulation Panel with Weatherstripping
- Easy First Step Down from Attic for Personal Safety
- 9-1/2" Tread Rise on All Stairs
- More Treads for Easier Access
- Steel Ladder Rod Under each Tread
- Adjustable Spring Tension
- Hardware plated or painted to prevent rust
- Completely Assembled
- Optional Fire Resistant Door Panel (Class C – Flame) spread not over 25 in a 30 minute test. UL Rating.
- See page 5 for a **60 Minute** Fire stairway.

Rough Opg	Ceiling Height
22 x 48	8'5"
22 x 54	8'9"
22 x 54	10'0"
22½ x 60	9'3"
22½ x 60	10'8"
25½ x 54	8'9"
25½ x 54	10'0"
25½ x 60	9'3"
25½ x 60	10'8"
30 x 54	8'9"
30 x 54	10'0"
30 x 60	8'9"
30 x 60	9'3"
30 x 60	10'0"
30 x 60	10'8"



Rough Opening	Ceiling Height	# of Treads*	A Landing Space**	B Projection
22" x 48"	8'5"	10	56"	60"
22" x 54"	8'9"	11	58"	66"
22" x 54"	10'	13	65"	79"
25 ½" x 48"	8'5"	10	56"	60"
25 ½" x 54"	8'9"	11	58"	66"
25 ½" x 54"	10'	13	65"	79"
30" x 54"	8'9"	11	59"	66"
30" x 54"	10'	13	66"	79"
30" x 60"	8'9"	11	59"	66"
30" x 60"	10'	13	66"	79"

*Most competitors have 1 or 2 treads less
 **It is recommended adding 18" to landing space (A) dimensions for safe ascent or descent of the stairway

B&B Wood Products inc.

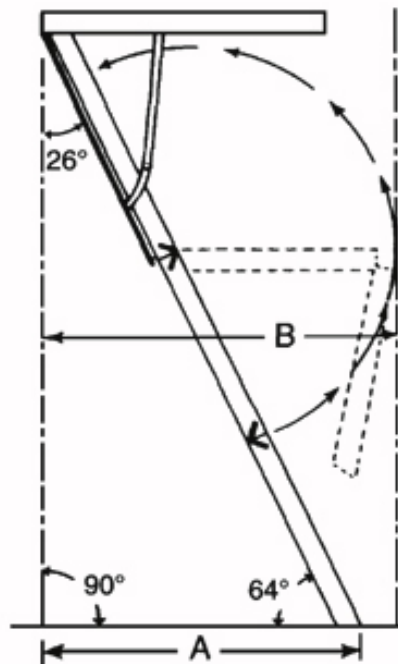
#800 Strong, Lightweight *Aluminum* Folding Stairway

Weight Capacity 350 lbs



- Pre-drilled Installation Holes
- Full Width Heavy Duty Piano Hinge
Reaches across the entire width of stairway. That means far more strength and rigidity than any other stairway hinge now in use.
- Easy First Step Out of Attic for enhanced personal safety.
- Re-inforced Door Panel
Spacer and Runner Construction on Door to Prevent Warpage.
- Safety Locknut to Secure Spring Arm to Ladder Section.
- Contact our office for a Fire Resistant Door Panel (25 to 30 minute).

Rough Opening W x L	Ceiling Height	# of Treads	A** Landing Space	B Projection	lbs. per Unit
22" x 54"	8'9"	9	58"	66"	58
22" x 54"	10'	11	65"	79"	63
25 1/2" x 54"	8'9"	9	58"	66"	62
25 1/2" x 54"	10'	11	65"	79"	66
30" x 54"	8'9"	9	59"	66"	67
30" x 54"	10'	11	66"	79"	71



**We recommend adding 18" to landing space for safety

BE119: 1-Hour Folding Stairway

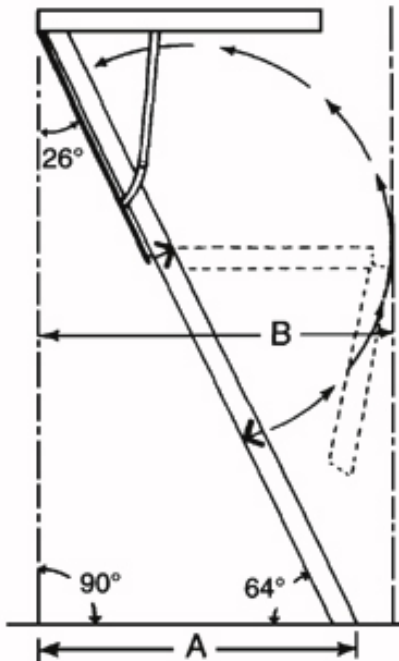
Weight Capacity 350 lbs



- Certified 1 Hour Fire-Rating
- Patent Pending
- Surpasses ASTM E-119 Fire Test
- Meets International Builders Code
- Heavy Duty Steel Frame Construction
- Hardware Installation Kit Included
- A Must For Residential Garages
- Can Be Painted If Desired

Featuring: 1x6" Treads (wood); 1x5" Stringers (wood) and 3/4x5 1/2" Frame (steel).

Stairs have full width piano hinge, steel handrail, treads locked-in with 3/16" ladder rods under each tread, eased edge lumber on exposed wood parts. Wood parts of selected kiln dried southern yellow pine, high quality materials and workmanship throughout. Completely assembled, ready to install.



**We recommend adding 18" to landing space for safety

Rough Opening W x L	Ceiling Height	# of Treads	A Landing Space	B Projection	lbs. per Unit
22" x 54"	8'9"	11	58"	66"	107
22" x 54"	10'	13	65"	79"	110
22" x 60"	9'3"	11	61"	72"	115
22" x 60"	10'8"	13	70"	80"	117
25 1/2" x 54"	8'9"	11	58"	66"	111
25 1/2" x 54"	10'	13	65"	79"	132
25 1/2" x 60"	9'3"	11	61"	72"	128
25 1/2" x 60"	10'8"	13	70"	80"	131
30" x 54"	8'9"	11	58"	66"	149
30" x 54"	10'	13	65"	79"	160
30" x 60"	8'9"	11	58"	66"	165
30" x 60"	9'3"	11	61"	72"	166
30" x 60"	10'	13	65"	79"	167
30" x 60"	10'8"	13	70"	80"	168

Bessler Disappearing Sliding Stairways

MODEL 100 - Recommended for commercial applications. Residential applications use size 70.

100 Size	Floor to Floor (A)	Radius Above (B)	Plumb Ht above ©	Run Below (D)	Panel Opening (E)
1	7'7" to 7'10"	4'4"	3'2"	6'5"	30" x 70"
2	7'11" to 8'4"	4'11"	3'8"	6'10"	30" x 70"
3	8'5" to 8'10"	5'7"	4'1"	7'3"	30" x 70"
4	8'11" to 9'4"	6'2"	4'6"	7'7"	30" x 72"
5	9'5" to 9'10"	6'4"	4'9"	8'0"	30" x 76"
6	9'11" to 10'4"	6'8"	5'0"	8'4"	30" x 80"
7	10'5" to 10'10"	7'0"	5'3"	8'9"	30" x 84"
8	10'11" to 11'4"	7'6"	5'5"	9'2"	30" x 87"
9	11'5" to 11'10"	7'9"	5'10"	9'6"	30" x 90"
10	11'11" to 12'4"	8'1"	6'1"	9'10"	30" x 93"
11	12'5" to 12'10"	8'6"	6'4"	10'3"	30" x 96"

Solid one piece stringers and treads of selected 1 x 8 kiln dried yellow pine.

Shipping weight - 190 lbs.

Ladder width 18-7/8". Load capacity 800 lb.

Will fit ceiling thickness from 7-1/4" to 18"
(For other ceiling thickness - call for quote)

53 degree incline (F).

Grade "A" 1-3/8" hollow core door panel. Full length handrail. Ladder rod under each tread for added strength and rigidity.

Rough opening is panel opening (E) + 2"

MODEL 70 - Solid One piece stringers and treads of selected 1 x 6 yellow pine.

70 Size	Floor to Floor (A)	Radius Above (B)	Plumb Ht above ©	Run Below (D)	Panel Opening (E)
1	7'7" to 7'10"	4'4"	2'11"	5'4"	30" x 66"
2	7'11" to 8'4"	4'11"	3'5"	5'8"	30" x 66"
3	8'5" to 8'10"	5'7"	3'11"	6'0"	30" x 66"
4	8'11" to 9'4"	6'2"	4'5"	6'4"	30" x 66"
5	9'5" to 9'10"	6'4"	4'6"	6'8"	30" x 72"
6	9'11" to 10'4"	6'8"	5'1"	6'11"	30" x 72"
7	10'5" to 10'10"	7'0"	5'5"	7'4"	30" x 72"

Shipping weight 95 lbs.

Ladder width 18-7/8". Load capacity 600 lb.

Will fit ceiling thickness from 6-1/4" to 16"
57 degree incline (F).

Grade "A" 1-3/8" hollow core door panel. Full length handrail. Ladder rod under each tread for added strength and rigidity.

Rough opening is panel opening (E) + 2"

MODEL 30, 40 - Solid One piece stringers and treads of selected 1 x 6 yellow pine. Model 30 -is designed to fit between 24" O.C. truss ceilings. Because of limited space, this unit requires rough and finished opening to be the same as the panel opening shown in chart. **Shipping weight 85 lbs**

30, 40	Floor to Floor (A)	Radius Above (B)	Plumb Ht above ©	Run Below (D)	30T Panel Opening (E)	40 Panel Opening (E)
1	7'7" to 7'10"	4'4"	2'11"	5'4"	22½" x 66"	24" x 66"
2	7'11" to 8'4"	4'11"	3'5"	5'8"	22½" x 66"	24" x 66"
3	8'5" to 8'10"	5'7"	3'11"	6'0"	22½" x 66"	24" x 66"
4	8'11" to 9'4"	6'2"	4'5"	6'4"	22½" x 66"	24" x 66"
5	9'5" to 9'10"	6'4"	4'6"	6'8"	22½" x 72"	24" x 72"
6	9'11" to 10'4"	6'8"	5'1"	6'11"	22½" x 72"	24" x 72"
7	10'5" to 10'10"	7'0"	5'5"	7'4"	22½" x 72"	24" x 72"

Door panel is pre-sized to fit within panel opening shown in Column E.

Ladder width 17-1/16". Load capacity 600 lb.

Will fit ceiling thickness from 6-1/4" to 16"
57 degree incline (F).

Ladder rods under each Tread. Grade "A" 1-3/8" hollow core door panel. Full size handrail.

Model 40: Rough opening = panel opg + 2"

Model 30: Rough opening = panel opening (E)

MODEL 22, 26 - Engineered to fit an existing stair opening. Shipped 90% assembled on a 6-3/4 frame and includes one piece stringers with treads,

22, 26	Floor to Floor (A)	Radius Above (B)	Plumb Ht above ©	Run Below (D)	22 Panel Opening (E)	26 Panel Opening (E)
1	7'7" to 7'10"	4'9"	4'2"	3'9"	22½" x 54"	25½" x 54"
2	7'11" to 8'4"	5'2"	4'7"	3'11"	22½" x 54"	25½" x 54"
3	8'5" to 8'10"	5'8"	5'1"	4'2"	22½" x 54"	25½" x 54"
4	8'11" to 9'4"	6'2"	5'7"	4'5"	22½" x 54"	25½" x 54"
5-54	9'5" to 9'10"	6'8"	6'1"	4'8"	22½" x 54"	25½" x 54"
5	9'5" to 9'10"	6'8"	6'1"	4'8"	22½" x 60"	25½" x 60"
6	9'11" to 10'4"	7'2"	6'7"	4'11"	22½" x 60"	25½" x 60"
7	10'5" to 10'10"	7'8"	7'1"	5'2"	22½" x 74"	25½" x 74"
8	10'11" to 11'4"	8'2"	7'7"	5'5"	22½" x 74"	25½" x 74"
9	11'5" to 11'10"	8'8"	8'1"	5'8"	22½" x 74"	25½" x 74"

made of select 1 x 6 yellow pine, ladder rods under each tread and a molded handrail.

Shipping weight 85 lbs

Ladder width on 26: 17-1/16".

Ladder width on 26T: 14".

Load capacity 600 lb.

Fits ceiling thickness from 6-1/4" to 12";

66 degree incline (F).

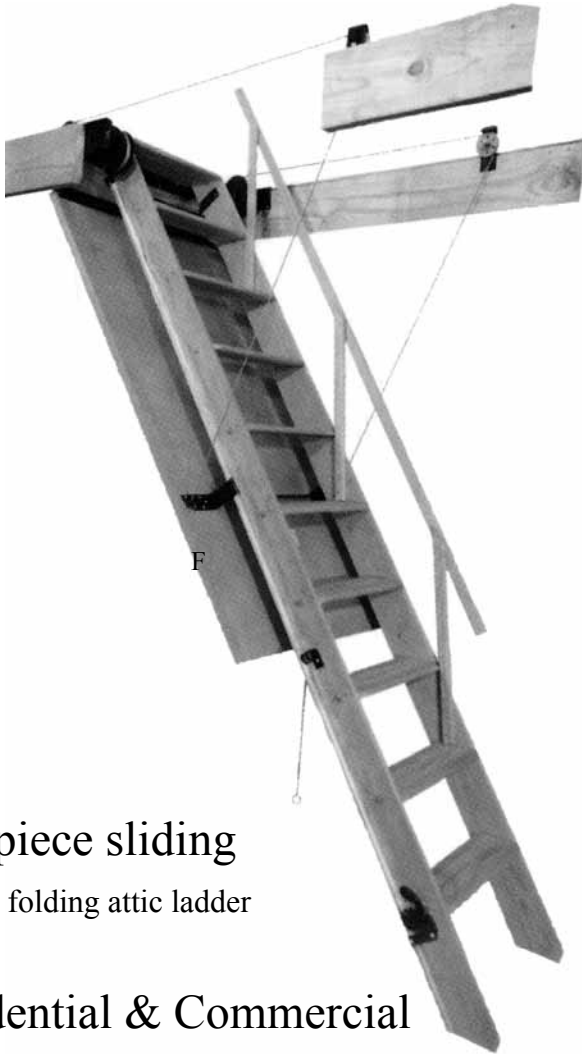
Models 26 & 26T: Rough opg = panel opening (E)

B&B Wood Products inc.

Information Needed for Proper Ordering

- Specify both Floor to Floor and Floor to Ceiling measurements when ordering BESSLER one-piece stairways.
- Specify MODEL and SIZE on your order.
- Rough Opening should be 2" wider and longer than panel size shown. (Exceptions, doesn't apply to Model 26, 26T, 30T).
- BESSLER Stairways are engineered and custom built to fit and operate within the requirements as shown in the charts and illustrations, and not subject to cancellation after construction begins.
- Installation video at bbwood.com under the "More" tab.

[Installation Video - go to store.bbwood.com](http://store.bbwood.com)



One-piece sliding

- not a folding attic ladder

Residential & Commercial

Average Capacity 600 lbs.

Easy Operation

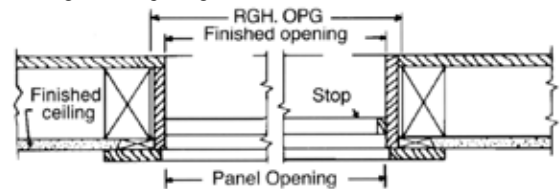
Superbly engineered for maximum stability

Units have solid one piece stringers shipped un-assembled.

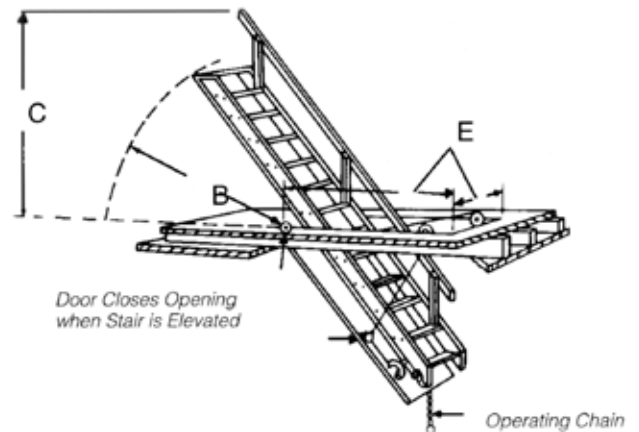
Closed position (approximately half of ladder stored over door panel and other half over attic floor)



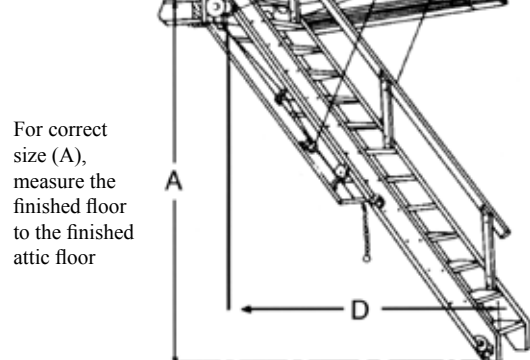
Section Through Stair Opening



Stairway partly down on panel



Open Position

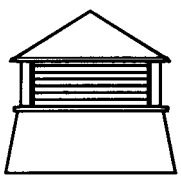




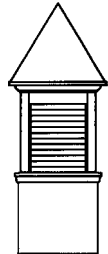



For correct size (A), measure the finished floor to the finished attic floor

You don't climb a Bessler stairway - you walk up it!

PVC Cupolas More designs pgs 10-11

Roof coverings are made from Aluminum or Copper. Louvers are made of Cellular PVC
 All cupolas except the Richmond have blocking in the roof to receive our Showcase Weathervanes.






	Model Nbr.	Building Use Guide	Roof Width O.A. Height	Roof Opg	VENT Sq. In.	Max. Pitch		
STANDARD								
 <p>*these items can ship ups</p>	18*	22' & smaller	18¼ x21½	7.5x7.5	49	8/12		
	24*	Up to 22' long	21¼ x25	13x13	96	8/12		
	27*	15' - 25' Long	24¼ x26	16x16	120	7/12		
	30	20' - 35' Long	27x31	19x19	175	8/12		
	36	30' to 45' long	34½ x33	21x21	214	7/12		
	42	40' to 55' long	40½ x40	26x26	320	8/12		
	48	50' & longer	46½x42	28x28	386	7/12		
GOVERNOR								
	31	Up to 22' long	22-3/8x30	9.5x9.5	46	10/12		
	2533	15' to 25' long	26x41	16x16	150	12/12		
	2845	20' to 35' long	29x51	19x19	216	15/12		
	3655	30' to 50' long	35¼ x59	24x24	353	12/12		
PRESIDENT								
Hexagon  3637 4248	Octagon  4372	3637	35' to 50' long	34½ x46	15x15	130	12/12	
		4248	50' & longer	39½ x52	18x18	192	12/12	
		4372	50' & longer	42½ x71	23x23	323	14/12	
ESTATE								
 2654 Charleston 2969 Hyde Park	 2760 Hampton 3075 Newport	 2869 Richmond	2654	20' to 35' long	26x54	15x15	130	14/12
			2969	35' to 50' long	29x69	18x18	192	20/12
			2760	20' to 35' long	27x60	15x15	130	14/12
			3075	35' to 50' long	30¼ x75	18x18	192	20/12
			2869	35' to 50' long	28¼ x69	18x18	192	20/12

Call for a quote on an Extended Base to fit roof pitches that are greater than the Maximum Pitch listed.

B&B Wood Products inc.

Wood - Cupolas More designs pgs 10-11

Roof coverings are made from Aluminum or Copper. Louvers are made of Cellular PVC
All cupolas except the Richmond have blocking in the roof to receive our Showcase Weathervanes.

	Model Nbr.	Building Use Guide	Roof Width O.A. Height	Roof Opg	VENT Sq. In.	Max. Pitch	
STANDARD							
 <p>*these items can ship ups</p>	18*	22' & smaller	18¼ x21½	7.5x7.5	49	8/12	
	24*	Up to 22' long	21¼ x25	13x13	96	8/12	
	27*	15' - 25' Long	24¼ x26	16x16	120	7/12	
	30	20' - 35' Long	27x31	19x19	175	8/12	
	36	30' to 45' long	34½ x33	21x21	214	7/12	
	42	40' to 55' long	40½ x40	26x26	320	8/12	
	48	50' & longer	46½x42	28x28	386	7/12	
GOVERNOR							
	31	Up to 22' long	22-3/8x30	9.5x9.5	46	10/12	
	2533	15' to 25' long	26x41	16x16	150	12/12	
	2845	20' to 35' long	29x51	19x19	216	15/12	
	3655	30' to 50' long	35¼ x59	24x24	353	12/12	
PRESIDENT							
Hexagon  3637 4248	Octagon  4372	3637	35' to 50' long	34½ x46	15x15	130	12/12
		4248	50' & longer	39½ x52	18x18	192	12/12
		4372	50' & longer	42½ x71	23x23	323	14/12
ESTATE							
 2654 Charleston 2969 Hyde Park 2760 Hampton 3075 Newport 2869 Richmond	2654	20' to 35' long	26x54	15x15	130	14/12	
	2969	35' to 50' long	29x69	18x18	192	20/12	
	2760	20' to 35' long	27x60	15x15	130	14/12	
	3075	35' to 50' long	30¼ x75	18x18	192	20/12	
	2869	35' to 50' long	28¼ x69	18x18	192	20/12	

Call for a quote on an Extended Base to fit roof pitches that are greater than the Maximum Pitch listed.

B&B Wood Products inc.

Custom Cupolas

The Standard, Governor, President and Estate series from pages 8-9, are available in custom sizes with optional glass towers.

Specify the model name and provide the overall width and height in inches. Supply the roof pitch if different than listed on previous pages. Specify **Cedar (natural or primed)** or **PVC** for the base and framing material and **Copper or Aluminum** for the roof (Estate Richmond Bell roof is only available in copper).

All custom cupolas include blocking in the roof for customers who use a copper weathervane.

Glass cupolas are decorative, they do not vent. They are glazed with non-tempered single pane glass. Optional interior grids are available in 4,6,8 and 9-light patterns. Custom grids can be quoted. **Obscure** glass (Velvex) is available as an option.



Standard 4LT



Hexgon 4LT



Governor 6LT



Charleston



Richmond

Vinyl Cupolas with Copper Roofs - For sizes see store.bbwood.com

Solid vinyl plank and board, maintenance-free, 24-gauge copper roof; ready to paint; includes built-in mounting hardware for weathervanes



Manchester



Coventry



Farmington



Dover



Sherwood



Georgetown



Arlington



Windsor



Huntington



Guilford

B&B Wood Products inc.

PVC Coated Aluminum Cupolas

Choose from stock sizes or specify your size. Louvered screened midsection provides ventilation for attic. Cupola ships with the notch for your roof pitch already cut out. Standard cladding for midsection and base section is coated aluminum, available in over 400 colors. Other material choices include copper, galvanized or painted steel, and Kynar finish. Convenient optional curbing enables flashing to be tucked inside the cupola for a clean and completely watertight installation. Recommended for tile roofs, reroofing, and new construction.



ALCharleston



Stansbury



Jamestown



ALRichmond
Hexgon



Bedford
Octagon



Estate
Hexgon



Georgetown
Octagon



Madison
Hexgon



Providence
Octagon

By day, our innovative windowed cupolas add an attractive accent. By night with our optional light kit, they light up the sky like a miniature lighthouse. These conversation pieces are strictly ornamental; they do not vent. Choose from square, hexagonal, or octagonal base, and hip, pagoda, or bell roof. Obscure or specialty glass is available (extra charge). Window Grids are available in White, Almond, Bronze or Mill (silver) finish. Design patterns for grilles: 1-light (no grid), 2W2H (4LT), 3W2H, 2W3H or 3W3H



Vermont 4LT

Windsor 4LT

Trenton 4LT



York 4LT
Hexgon



Arlington 4LT
Octagon



Nantucket 4LT
Hexgon



Lexington 4LT
Octagon



Davenport 4LT
Hexgon



Oxford 4LT
Octagon

WV7 Weathervanes Ornament: Gold Bronze 40"- 46" Overall Height

Crafted with Alumi-Shield™; Includes roof mount base



WV7-76



WV7-74



WV7-31

WV30 Weathervanes 30" High Hand Painted

Crafted with Alumi-Shield™; Includes post & roof mount base



Buck #1290



Pheasant #1291



Country Doctor #1292



Duck 1293



Lighthouse #1296

WV3 Weathervane 24" High Black

Crafted with Alumi-Shield™; Includes post & roof mount reversible base

Recommended for Cupola Roofs of Pitch 8/12 & under



WV3-74



WV3-31



WV3-73



WV3-76



WV3-15



WV3-71



WV3-50



WV3-40

Copper Weathervanes (also on Pages 14-15)

Our polished copper weathervanes are made from 100% pure copper with solid brass and copper components. They are built to last aging gracefully with a rich patina over time. Our weathervanes come with a mill-option powder coated rod or a stainless steel and brass rod making them rust and maintenance free. Polished copper will naturally tarnish. A Stay Bright spray #150N is available to retard tarnishing. Copper weathervanes do not come with installation hardware.

See store.bbwood.com for a complete selection of Copper Weathervanes.

Installation Hardware for Weathervanes & Finials



 11" Extension Rod	 Adj Mount 401AL <small>12"L X 7"H X 4"W</small>	 4-Sided 404 <small>12"L X 14"H X 12"W</small>	 Cupola Mount 410 <small>2-1/2"L X 2"H X 2-1/2"W</small>	 Stay Brite #150N
---	--	---	--	--



Rooster 501P
25" L x 18" W x 40" H



Rooster 515P
27" L x 18" W x 46" H



Patching Horse 580P
33" L x 18" W x 36" H



Landing Duck 9605P
19" L x 27" W x 35" H



Horse 952P
32" L x 18" W x 36" H



Rooster 953P
27" L x 18" W x 40" H



Trotting Horse 967P
33" L x 18" W x 33" H

B&B Wood Products inc.

Copper continued...

Install hardware on page 13.



Flag 667P

31" L x 18" W x 33" H



Victorian Arrow 9642 P

32" L x 5" W x 42" H



Arrow 611SP

23" L x 18" W x 33" H



Arrow 954P

34" L x 18" W x 42" H



Golfer 561P

27" L x 18" W x 48" H



BiPlane 9521P

22" L x 22" W x 27" H



Geese In Flight 657 P

28" L x 20" W x 32" H



Soaring Hawk 9699PA

30" L x 40" W x 29" H



Eagle 955P

23" L x 23" W x 38" H

B&B Wood Products inc.

Copper continued..

Install hardware on page 13



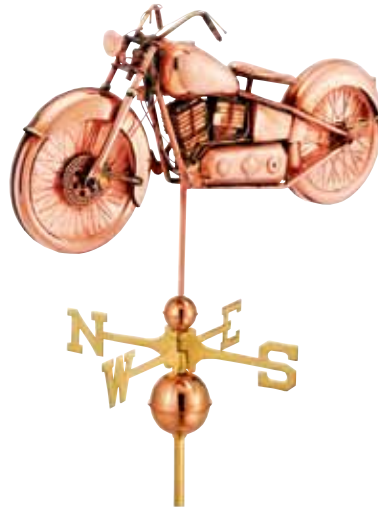
Hummingbird 913 P

19" L x 21" W x 33" H



Flying Pig 9612 P

24" L x 18" W x 37" H



Motorcycle 669P

22" L x 18" W x 31" H



Wine 917P

18" L x 18" W x 33" H



Yawl 907P

Ornament size:
22" L x 25" H x 4" W



Yawl 9907P

28" L x 18" W x 58" H



Schooner 9601P

25" L x 18" W x 39" H



Racing Sloop 909P

24" L x 18" W x 45" H



Bass 9602P

36" L x 18" W x 33" H



Golden Retriever 644PA

37" L x 18" W x 37" H



Heron 9606 P

26" L x 28" W x 38" H



Shotgun 693P

44" L x 18" W x 30" H

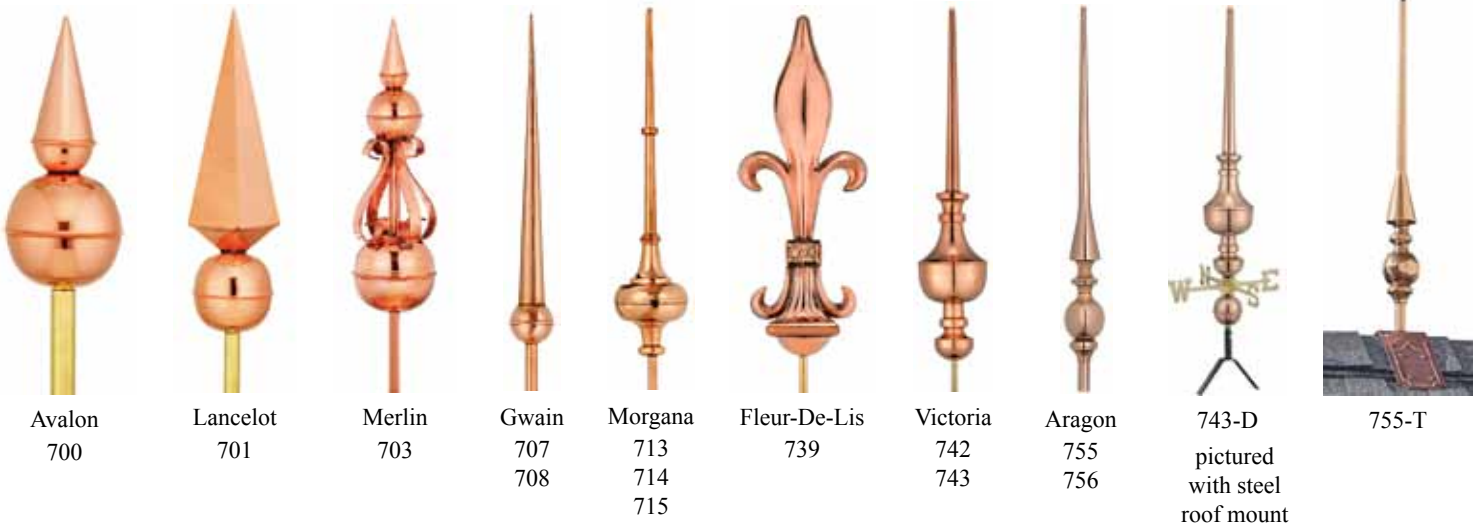


Labrador Retriever 560PA

33" L x 18" W x 37" H

Finials Copper (P)

Our finials are made from 100% copper with solid brass and copper components. They are built to last aging gracefully with a rich patina over time. Copper will naturally tarnish (A Stay Bright spray #150N is available to retard tarnishing). Steel Roof Mount is included as a standard.



Avalon
700

Lancelot
701

Merlin
703

Gwain
707
708

Morgana
713
714
715

Fleur-De-Lis
739

Victoria
742
743

Aragon
755
756

743-D
pictured
with steel
roof mount

755-T

Finial Size

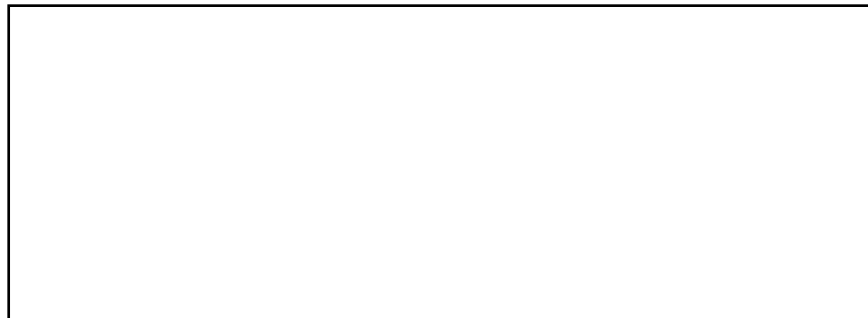
Item	Size
700	13"H
701	24"H
707	28"H
708	39"H
713	28"H
714	40"H
715	53"H
739	27"H
742	27"H
743	39"H
755	28"H
756	40"H

Many of our finials are available with directionals as pictured in the 743D or with a copper roof mount as pictured in the 755T.

Directionals: 701D, 707D, 708D, 713D, 714D, 739D, 742D, 743D

Copper Roof Mount: 701T, 707T, 713T, 739T, 742T, 755T

Distributed By:



Price subject to change without notice.